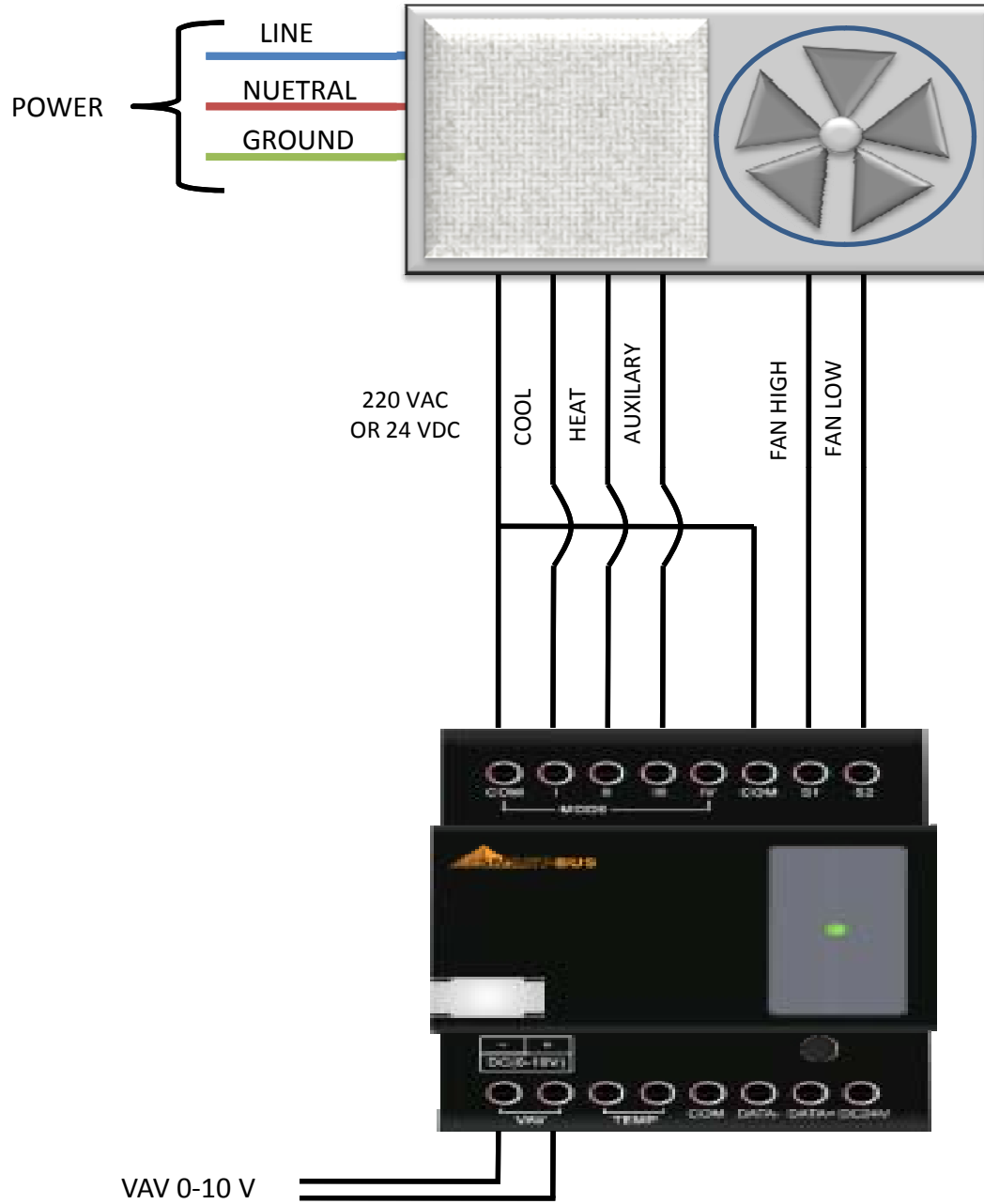
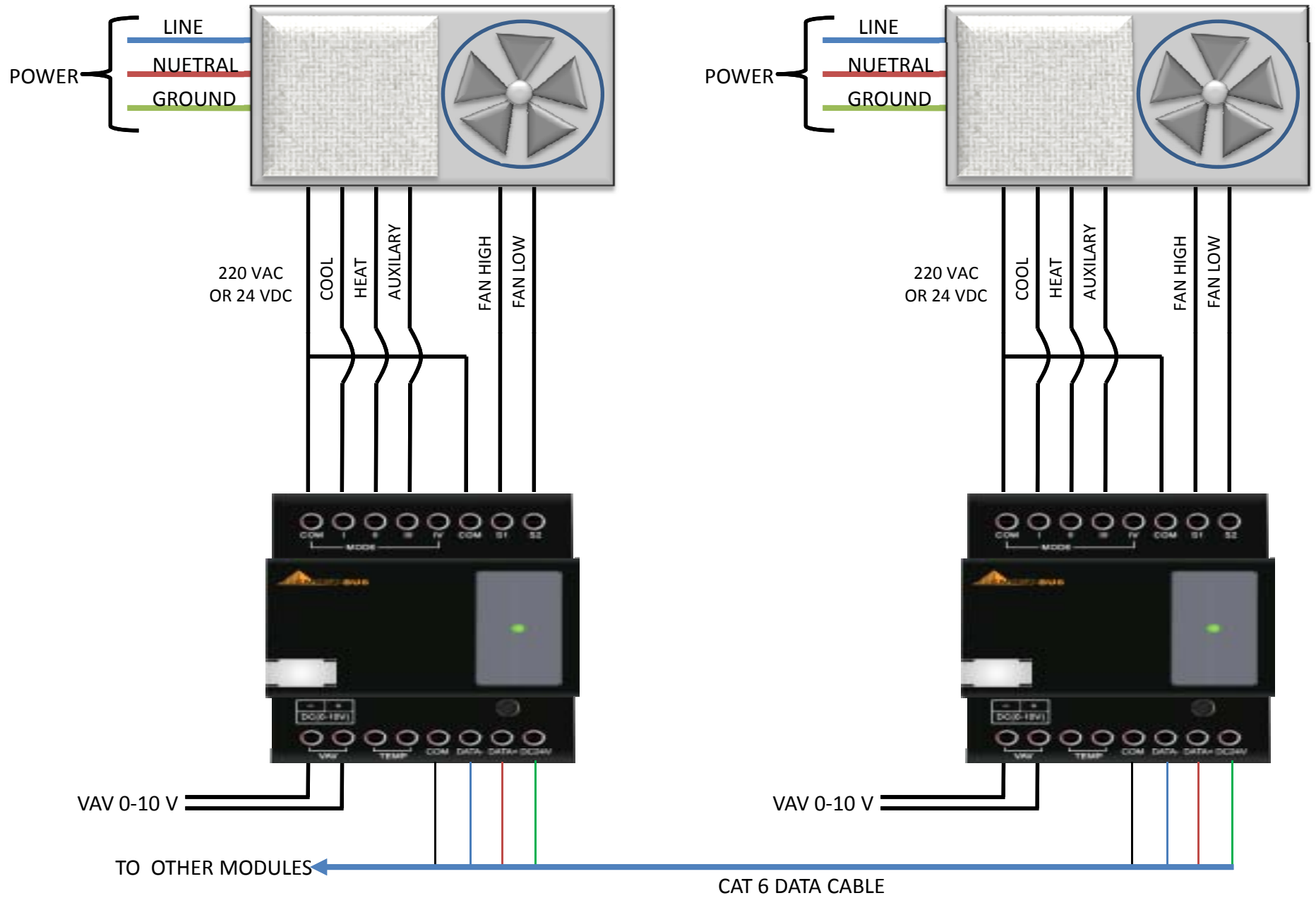


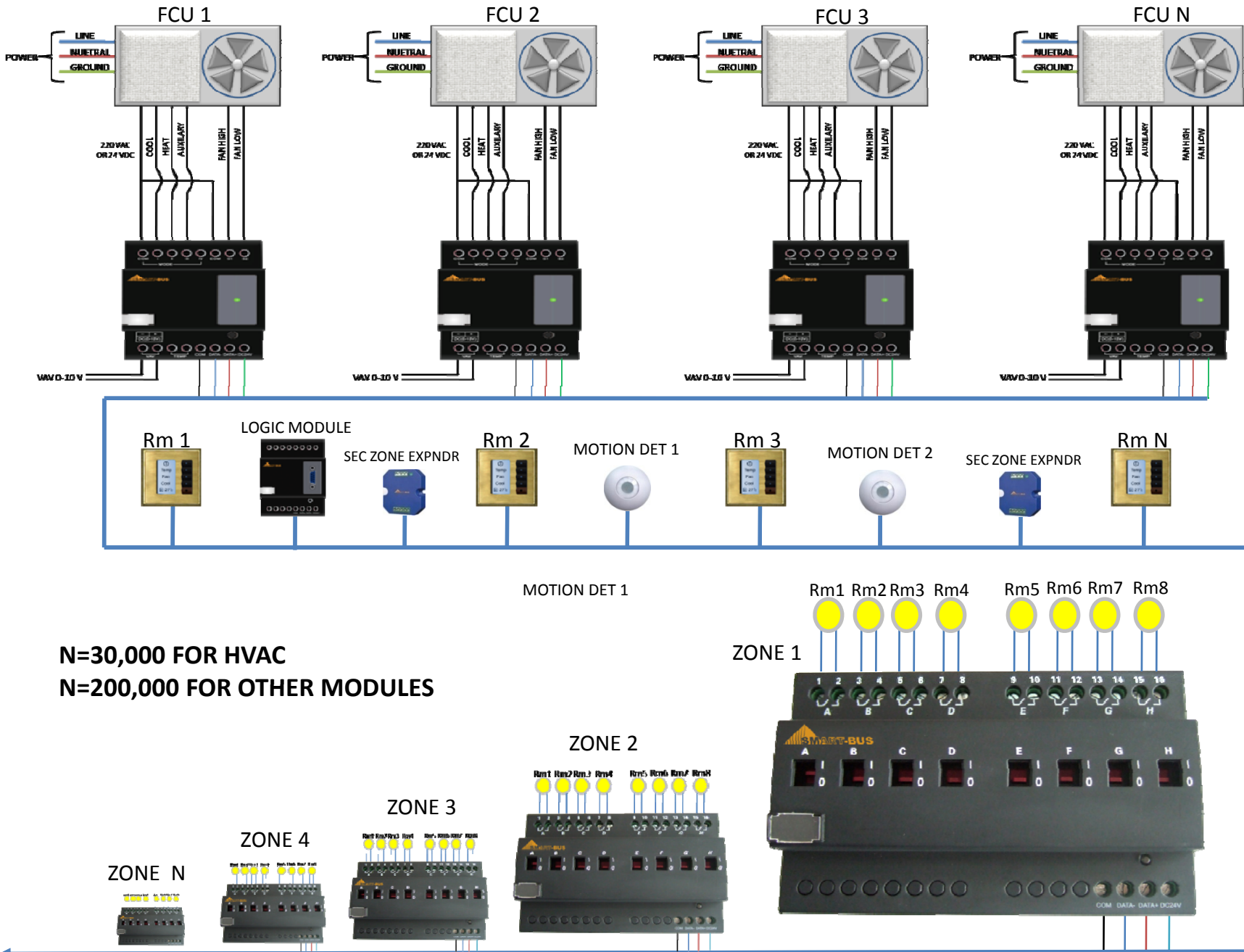
HVAC CONNECTION WITH TYPICAL FCU



TWO UNIT CONNECTION

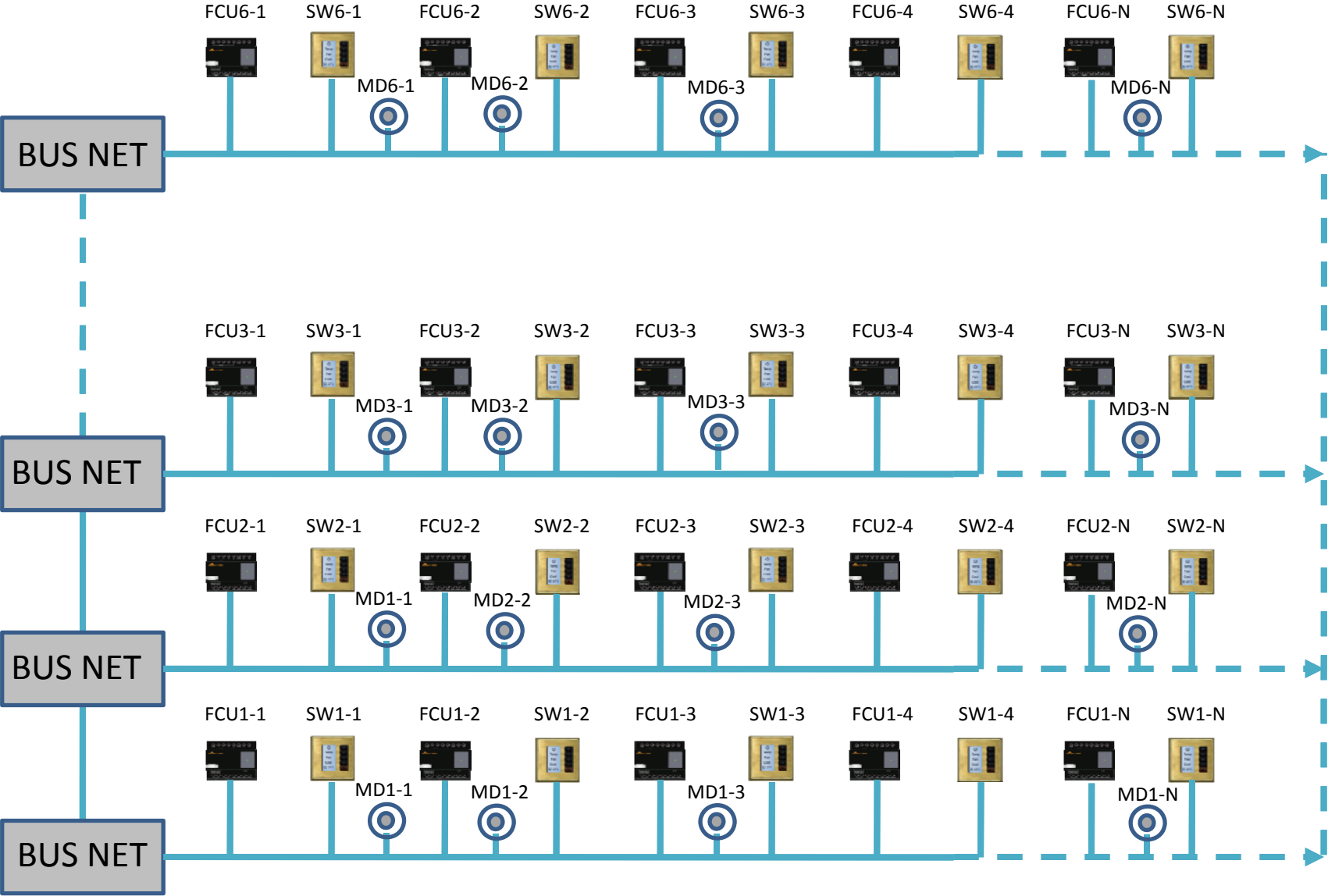


INTEGRATED WITH LIGHTING AND SECURITY



N=30,000 FOR HVAC
N=200,000 FOR OTHER MODULES

MULTI FLOORS BUILDING AUTOMATION LAYOUT



CENTER CONTROL & MONITORING

