



Elegant and easy to use wall panel that is soft programmed to enable control of lights, curtains, service++ the 4 Button switch has easy fascia color and material changing flexibility to help match any interiors. It has screw less mounting mechanism, security lock, easy upgrade mini-USB, re-locatable IR receiver probe, LED backlit buttons. ****Added function: Bigger buttons, Elegant aluminum surround and buttons, mini USB firmware upgrade port, easy connectors. Security lock screw to prevent vandalism, two sided button operation.**

technical data



Added features

- Lockable keys/ buttons
- Lockable IR receiver
- Changeable fascia colors
- LED backlit buttons and LCD
- Reloadable IR receiver 15m
- Screw less mounting
- Easy sBUS connector tech.

Control Applications

- lighting, security arming, motorized shades, moods and scenes, on/off music, fountains, irrigation, gates, LED color, service request, panic, lifts, fountains, gates..etc.

User Controls

- user control buttons
- Diagnostics + BROADCAST

Button behavior

- Single click (on/Off toggle)
- Double click (mood/Macro)
- Keep press (dim/ramp)

Programming

- Manual Pairing to Lighting,
- Advanced Software Configuration & Programming

Compliance

- CE Mark EMC



Total Gangs

4 gangs

Control IO

1 x Advanced RS485 S-BUS serial port links (both train & screw link types)

Upgrade IO

1 x mini USB port (to connect to special programming board)

Operation Protection

- BUS Rv. Polarity Protection
- BUS Short Circuit Protection

SBUS DC Supply

24VDC with flexible tolerance between 8-32VDC. Flexible ability to add power supply as to be needed any where
Power consumption: 25mA

Installation

- wall Mount metal frame twist
- Magnetic screw less mounting
- Advanced security locking
- Easy sBUS connector tech.

Operating Environment

0° to 45°C ambient temperature
20% to 93% RH

Enclosure material

Aluminum, Glass, and poly

Dimensions & Weight

W85mm x L85mm x H12mm x D8mm. Backed weight 0.2 kg

control compatibility



- Lighting
- Music
- Curtains
- Moods
- Security
- Service
- Color
- Drapes
- Pumps
- Gates



commercial



GTIN (UPC-EAN): 0610696254276
Patent P. No: 201110123081.0

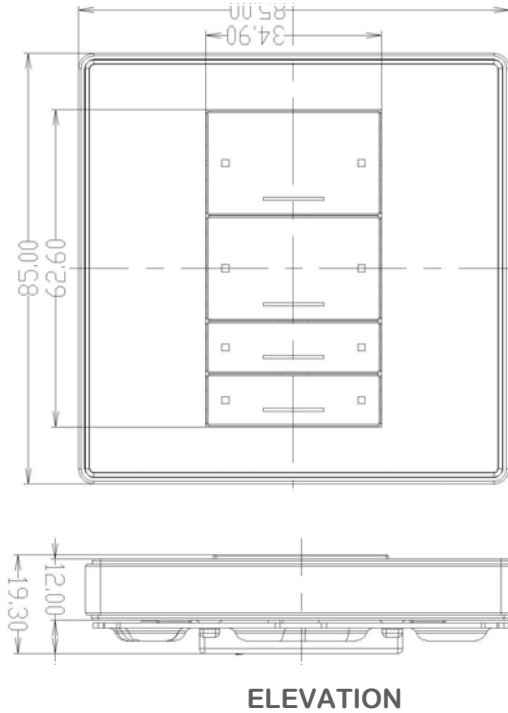
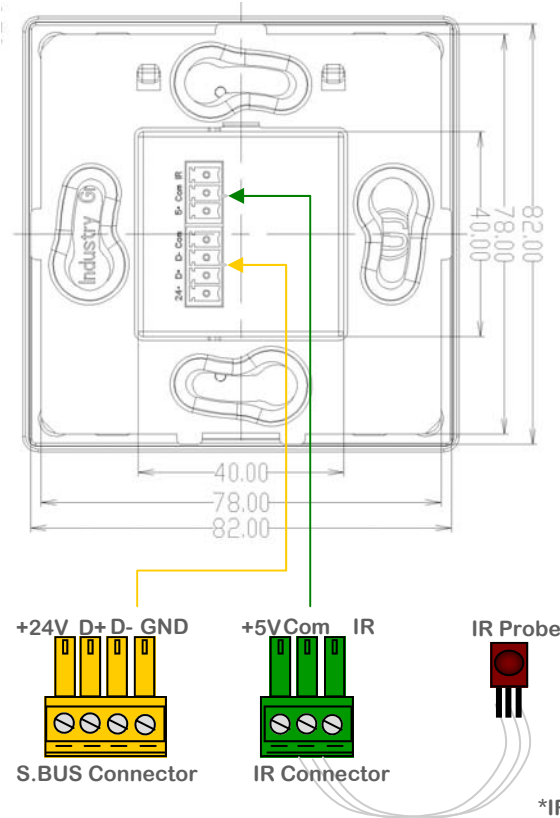


0 610696 254276

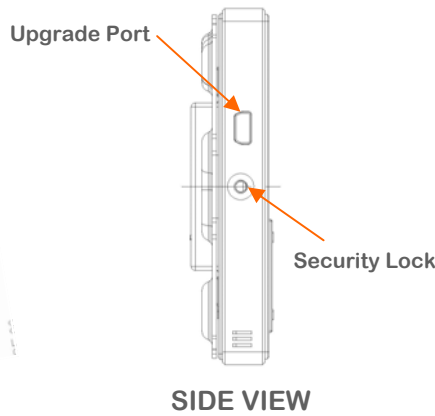
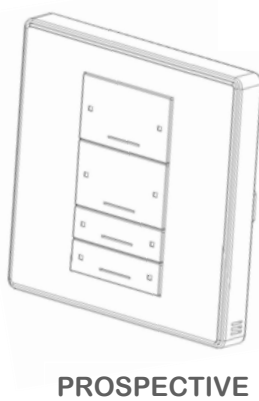


connection diagram

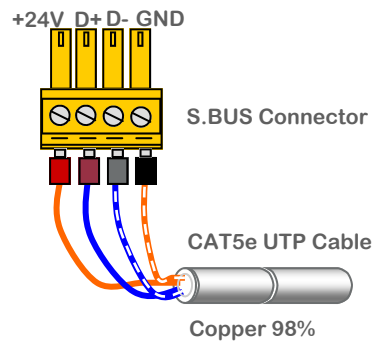
mounting dimensions



*IR Expansion Cable Tested at 15 Meters & found Perfectly operational



S-BUS connection



UTP core colors

S.BUS +24V		orange
S.BUS GND		w/orange
S.BUS D+		blue
S.BUS D-		w/blue
Spare		green
Spare		w/green
Spare +12v		brown
Spare -12V		w/brown



www.smarthomebus.com • info@smarthomebus.com
USA - Germany - Denmark - Hong Kong - Jordan - China - UAE

SB-G4 Data Sheet Rev 1.0 released Sept 2011

Specifications subject to change without notice. © Smarthome® -Group Trading as Smart-BUS®, Texas 77043 - USA. All rights reserved. Smart Mesh®, Smarthome BUS® and all other associated logos are the registered trademarks of Smart-Group®. Not to be used nor reproduced without written permission. All Patents and IPO's Remain owned by SmartHome® Group

