



Generation-4 SBUS

.....
 Bus Enabled, Addressable Ceiling Mountable 6in1 Multi-Functional sensor. One device has 6 functions designed perfectly for Automation Industry techno-lifestyle needs. This All-in-One device contains: (addressable Motion sensor, addressable 2-Zone Dry contact inputs one is for Safety, and one is for Security to connect to the room window sensor and smoke detector or any other sensor, save the wiring and programming time, it has 32 Logic lines (if, then, and or, nand, nor), and it support Burglar Security Code input checking, arming and disarming, it has Built in Temperature Sensor that can be paired to HVAC2 Module, and for other reading needs) **Added function: Easy S-BUS Connectors, Temperature Sensor, and mini USB firmware upgrade port, & Advanced mechanical design and size to fit ceiling boxes twist in.

technical data



Inputs

- 2-Dry Inputs (Volt Free) +
- 1 PIR 10mX110 degrees ,
- 1 Temperature sensor inbuilt.



NO/NC

Internal Assignment enabled

Applications

- Security Applications in connection to: (vibration, UV, magnetic contacts, Panic, Pressure matt, PIR, microwave, Drive-way sensors...etc.)
- Safety Applications in connection to: (Gas Leak, Smoke, Pool Guard, Elevator Panic, CO gas, Bathroom Help..etc.)
- Maintenance and Health Applications in connection to: (water Leak detector, water tank low level alert, Filter sensor...etc.)
- Logic Control
- HVAC and energy Saving

User Controls

- LED status indicator/channel
- Diagnostic LED+ BROADCAST

Programming

- Advanced Software Configuration & Programming
- Manual pairing to HVAC and 1 Light channel with default 10 Min, timer

Compliance

CE Mark EMC

Controls

- 1 x Advanced RS485 S-BUS serial port links (screw link)
- 32 logic lines & 250 prog. Flags
- Burglar security and Home safety Zone control function.

Upgrade IO

- 1 x mini USB port (to connect to special programming board)

Operation Protection

- BUS Rv. Polarity Protection
- BUS Short Circuit Protection

SBUS DC Supply

24VDC with flexible tolerance between 8-32VDC. Flexible ability to add power supply as to be needed any where
 Power consumption: 15mA

Installation

- Ceiling Mount Twist & Lock Ready

Operating Environment

0° to 45°C ambient temperature
 20% to 93% RH

Enclosure Material

Polycarbonate

Dimensions & Weight

W 85mm x L 85mm x H 39mm
 Packed weight 0.14 kg



control compatibility



- Security
- Safety
- Maintenance
- Health
- Automation
- HVAC



commercial



GTIN (UPC-EAN): 0610696254009
 Patent P. No: 201110123081.0
 Patent P. No: 201120213375.8

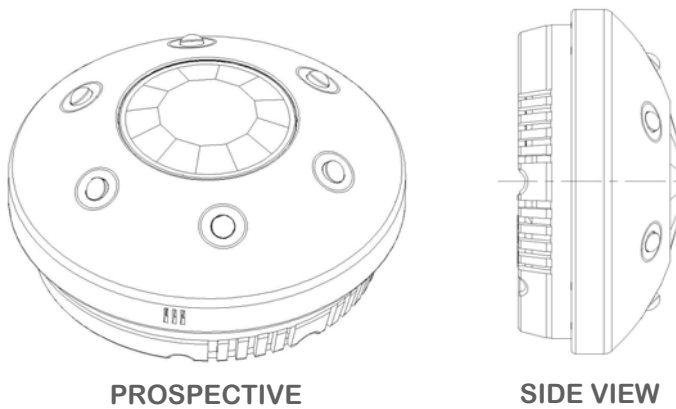
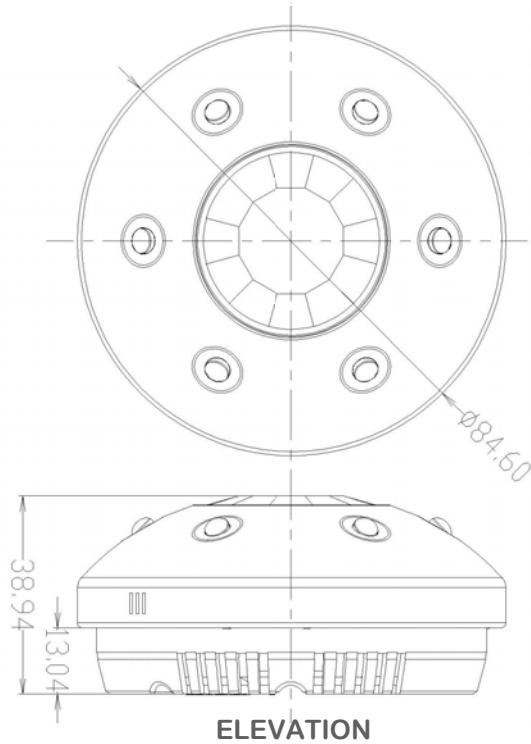
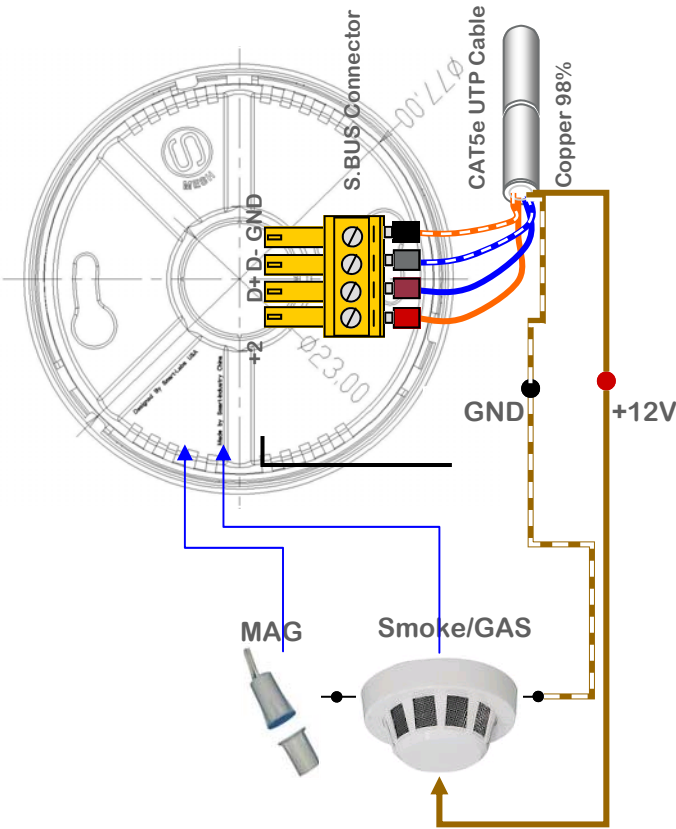


0 610696 254009

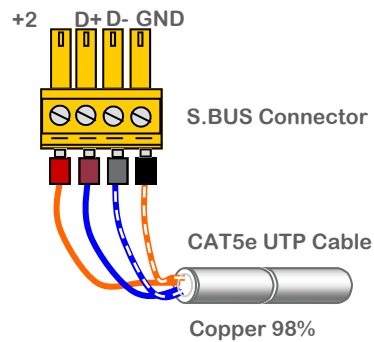


connection diagram

mounting dimensions



S-BUS connection



UTP core colors

S.BUS +24V		orange
S.BUS GND		w/orange
S.BUS D+		blue
S.BUS D-		w/blue
Spare		green
Spare		w/green
Spare +12v		brown
Spare -12V		W/brown



www.smarthomebus.com • info@smarthomebus.com
USA - Germany - Denmark - Hong Kong - Jordan - China - UAE

SB-G4 Data Sheet Rev 1.0 released Sept 2011

Specifications subject to change without notice. © Smarthome® -Group Trading as Smart-BUS®, Texas 77043 - USA. All rights reserved. Smart Mesh®, Smarthome BUS® and all other associated logos are the registered trademarks of Smart-Group®. Not to be used nor reproduced without written permission. All Patents and IPO's Remain owned by SmartHome® Group