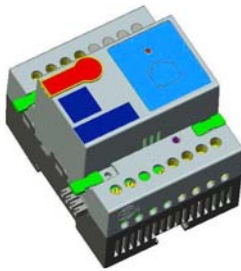




DIN-Rail Mount Advanced Climate Control Module that installs near HAVC unit to save cost of wiring and to eliminate the need for standard ugly thermostats. being S,BUS enabled it can be controlled flexibly from any DDP panel and any BMS Automation Software. The HVAC2 Module can control Single and Multi stage Units (Heat, Cool, Fan low, High, Medium, VAV 0-10VDC) it can Handle any FCU, AHU, VAV System. With easy labeling space, Comes ready with LED indicator, network health, broadcast button. Good for applications witch require energy saving, Health intelligent control such as residential, commercial or industrial.
^*Advanced: HVAC2 Can be Manually Programmed by any Electrician on site without need for PC.

technical data



Power Compatibility

HAVC 80-240VAC, 50/60Hz
HVAC 12-48VAC Types
FAN/VAV 0-10VDC
Power consumption: 20-25mA

System Compatibility

AHU (Air handling Units)
FCU (Fan Coil Units)
Single and Multi Stage Cool/
Heat with 3 Fan Speed (H,M,L)
VAV Damper Control

Outputs

6 x Separated Switched Relay outputs rated at 5A each Ch.

Control IO

3 x Advanced RS485 S-BUS serial port links (both train & screw link types)

Upgrade IO

1 x mini USB port (to connect to special programming board)

User Controls

- LED status indicator/channel
- Diagnostic LED+ BROADCAST

Programming

- Manual Pairing Programming to DDP Panel.
- Advanced Software Configuration & Programming

Compliance

CE Mark Low Voltage
CE Mark EMC

Operation Protection

- PID Compressor Sequence
- Protecting Delay 0-60min
- Startup Delay 0-25 Sec.
- BUS Rv. Polarity Protection
- BUS Short Circuit Protection

Presets

Accept Celosias and Fahrenheit temperature Settings
Cool temp Preset, Heat Preset.

Installation

- 35mm DIN-Rail Mount Ready
- Wall Mount Ready (4P)

SBUS DC Supply

24VDC with flexible tolerance between 8-32VDC. Flexible ability to add power supply as to be needed any where

Wiring Terminals

10 each is good for 2 x 2.5mm² or 1 x 4mm² max conductor size

Operating Environment

0° to 45°C ambient temperature
20% to 93% RH

Enclosure & Size

Polycarbonate, DIN-rail (4 Unit)

Dimensions & Weight

W 91mm x L 73mm x H 75mm
Packed weight 0.26 kg



HVAC compatibility



- All Types of FCU
- VAV 0-10VDC
- All Types of AHU
- Relay Driven Fan Speed (H,M,L)



commercial

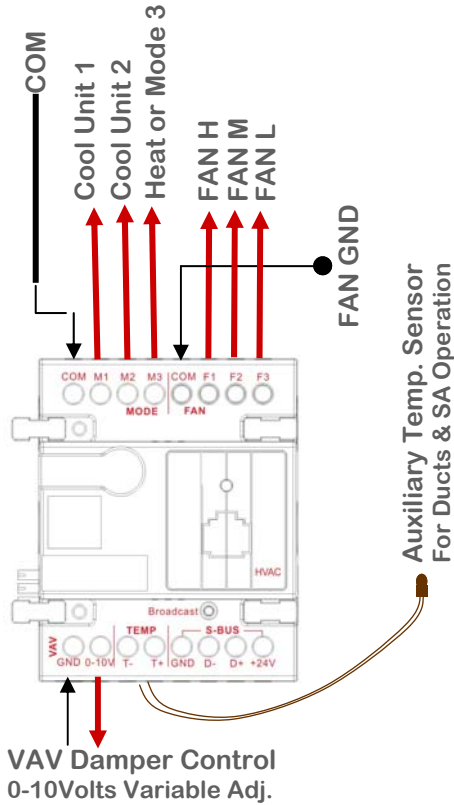


GTIN (UPC-EAN): 0610696253767
Patent P. No: 201110123081.0

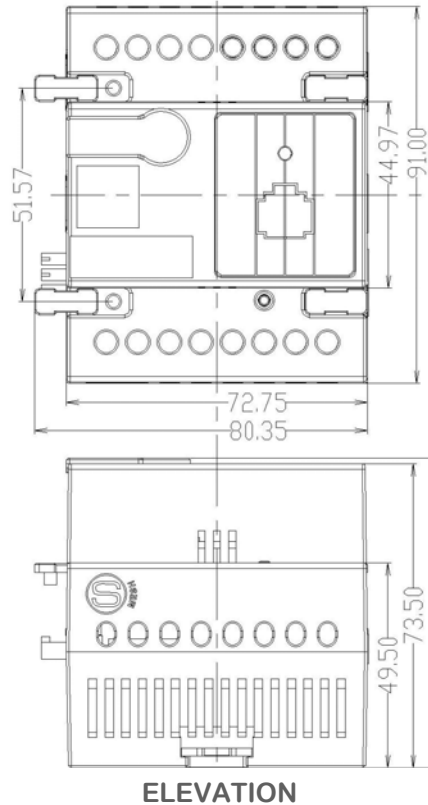




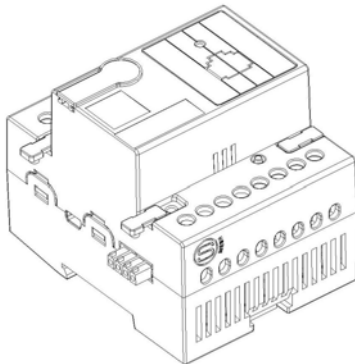
electrical diagram **G4**



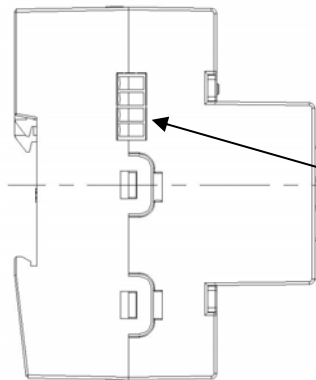
mounting dimensions **G4**



Warning: this is an electrical product, it must be installed only by trained & licensed electrician

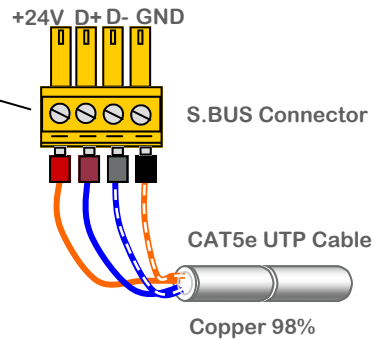


PROSPECTIVE



SIDE VIEW

S-BUS connection **G4**



UTP core colors **G4**

S.BUS +24V		orange
S.BUS GND		w/orange
S.BUS D+		blue
S.BUS D-		w/blue
Spare		green
Spare		w/green
Spare +12v		brown
Spare -12V		W/brown



www.smarthomebus.com • info@smarthomebus.com
USA - Germany - Denmark - Hong Kong - Jordan - China - UAE

SB-G4 Data Sheet Rev 1.0 released Sept 2011

Specifications subject to change without notice. © Smarthome® -Group Trading as Smart-BUS®, Texas 77043 - USA. All rights reserved. Smart Mesh®, Smarthome BUS® and all other associated logos are the registered trademarks of Smart-Group®. Not to be used nor reproduced without written permission. All Patents and IPO's Remain owned by SmartHome® Group