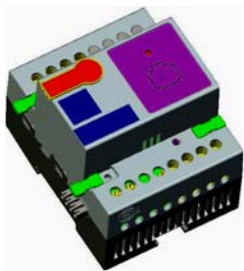




DIN-Rail Mount, Central Time Clock and Main Automation Controller. It is the smart system servant that assist and monitor temperature, events, energy consumption, patterns, with main Targets: maintain, safeguard, protect and economize. It Can Trigger prayer announcements, reminders, alerts, macros, and moods. Each Logic module Consist of 240 tables, Each Table of 4 programmable Logic Lines totaling up to 960 Line of Logics using simplified (and, Or Nand, Nor, with 255 Flags). logical condition consist of trigger combinations like: time, scene Light channel status, curtain status, room temperature, security mode, day night, time... and so on  
 \*\*Added function: Improved Logic Table Configuration and Viewing of used against available flags.

**technical data**



**Time Clock**

Built in time clock with central Broadcast function.  
 DTS day time adjustment  
 Muslim 5 Prayer Times function according to city Long and Lat.

**Logic Lines**

Total 960 logic lines: 240 Tables, each 4 Logic lines.

**Logic Commands**

Simplified logic commands like: (if, or, nand, nor +255 Flags)

**Control IO**

3 x Advanced RS485 S-BUS serial port links (both train & screw link types)

**Upgrade IO**

1 x mini USB port (to connect to special programming board)

**User Controls**

- LED status indicator/channel
- Diagnostic LED+ BROADCAST

**Programming**

- Advanced Software Configuration & Programming

**Compliance**

CE Mark EMC

**Operation Protection**

- BUS Rv. Polarity Protection
- BUS Short Circuit Protection

**Trigger Conditions**

Logical trigger or command conditions consist of trigger combinations like: time, scene Light channel status, curtain status, room temperature, security mode, day, night, flag...etc.

**SBUS DC Supply**

24VDC with flexible tolerance between 8-32VDC. Flexible ability to add power supply as to be needed any where  
 Power consumption: 15mA

**Installation**

- 35mm DIN-Rail Mount Ready
- Wall Mount Ready (4P)

**Operating Environment**

0° to 45°C ambient temperature  
 20% to 93% RH

**Enclosure & Size**

Polycarbonate, DIN-rail (4 Unit)

**Dimensions & Weight**

W 91mm x L 73mm x H 75mm  
 Packed weight 0.22 kg



**control compatibility**



- lights
- Moods
- Media
- Curtains
- Security
- Music
- SMS
- Pumps
- Access
- Scenes
- Temperature
- Announcement
- FAN
- Genset



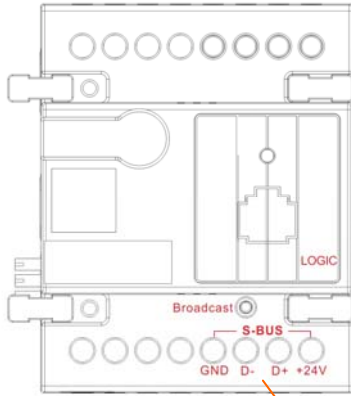
**commercial**



GTIN (UPC-EAN): 0610696254054  
 Patent P. No: 201110123081.0

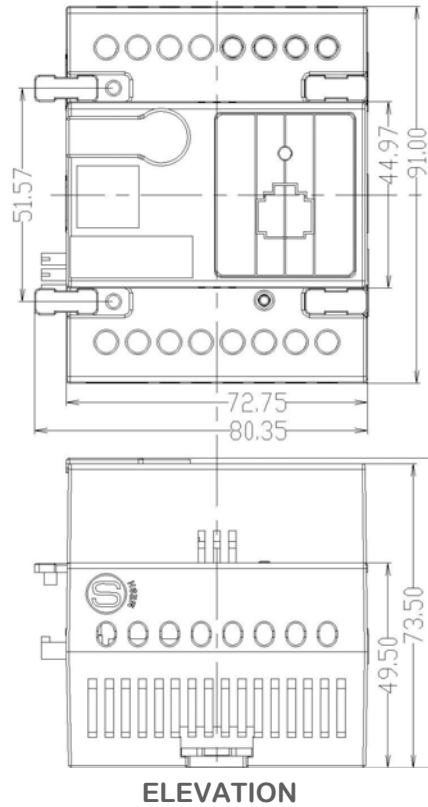


connection diagram **G4**

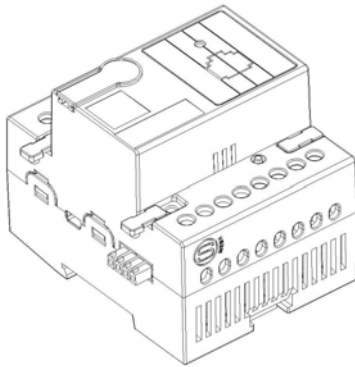


S.BUS MESH Network

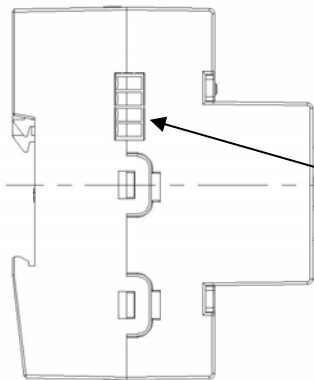
mounting dimensions **G4**



ELEVATION

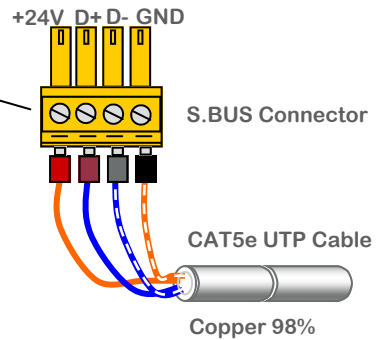


PROSPECTIVE



SIDE VIEW

S-BUS connection **G4**



UTP core colors **G4**

S.BUS +24V		orange
S.BUS GND		w/orange
S.BUS D+		blue
S.BUS D-		w/blue
Spare		green
Spare		w/green
Spare +12v		brown
Spare -12V		W/brown



www.smarthomebus.com • info@smarthomebus.com  
USA - Germany - Denmark - Hong Kong - Jordan - China - UAE

SB-G4 Data Sheet Rev 1.0 released Sept 2011

Specifications subject to change without notice. © Smarthome® -Group Trading as Smart-BUS®, Texas 77043 - USA. All rights reserved. Smart Mesh®, Smarthome BUS® and all other associated logos are the registered trademarks of Smart-Group®. Not to be used nor reproduced without written permission. All Patents and IPO's Remain owned by SmartHome® Group