



DIN-Rail Mount, PC/IP Interface and 3rd Party Integration RS-232 & RS-485. This Module is multi Purpose, it can be used for programming S.BUS, and a bridge between computer Smart-BUS network, can also be used as network bridge in the big projects with thousands of devices. It is the Touch Screen to SBUS bridge. Same device is used for 3rd Party Integration. Can send more than 1980 ASCII and/or Hexadecimal Command with 50 ASCII Character Message Length for more flexibility. 2 way communication that can receive up to 99 ASCII,HEX string commands to do up to 20 different commands for each message received Fixed ASCII S-BUS Protocol with Send Command Delay option Adjustable baud rate \*\*Added function: Improved String Length.

**technical data**

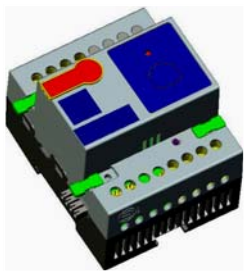


**IP Compatibility**

Compatible with all LAN data switch types, all WiFi routers.

**Operation Protection**

- BUS Rv. Polarity Protection
- BUS Short Circuit Protection



**Protocols**

- Advanced S-BUS
- FTP/IP
- RS-232
- RS-485

**Added IP functions**

- Soft reset function that reset IP to default
- Remote management
- Intelligent data interchange to minimize the data flux

**RS baud rates**

work in all baud rate: 2400, 4800, 9600, 14400, 19200, 38400, 57600, 115200 bps ASCII and HEXADECIMAL

**SBUS DC Supply**

24VDC with flexible tolerance between 8-32VDC. Flexible ability to add power supply as to be needed any where Power consumption: 15mA

**String Commands**

- 50 Characters ASCII Length
- Can Send 1980 Commands
- Can receive 99 commands
- Each Rcvd. command can execute 20 functions with delay

**Installation**

- 35mm DIN-Rail Mount Ready
- Wall Mount Ready (4P)

**Upgrade IO**

1 x mini USB port (to connect to special programming board)

**Operating Environment**

0° to 45°C ambient temperature 20% to 93% RH

**User Controls**

- LED status indicator/channel
- Diagnostic LED+ BROADCAST

**Enclosure & Size**

Polycarbonate, DIN-rail (4 Unit)



**Dimensions & Weight**

W 91mm x L 73mm x H 75mm Packed weight 0.22 kg

**Programming**

- Advanced Software Configuration & Programming

**Compliance**

CE Mark EMC

**3rd party compatibility**



- lighting
- DVD's
- Media
- Curtains
- Security
- Music
- Lifts
- Projector
- Access
- Fire
- Weather
- HVAC
- TV
- RFID
- W-BUS



**commercial**

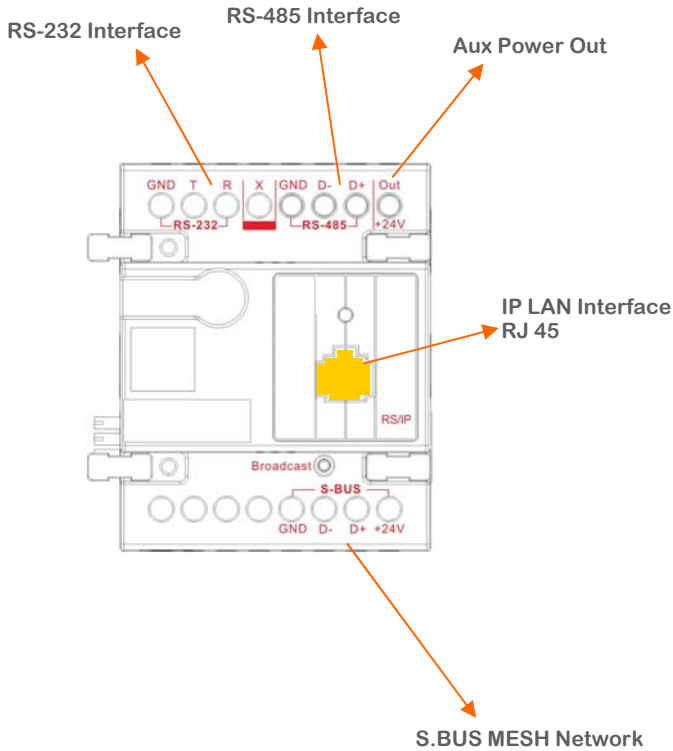


GTIN (UPC-EAN): 0610696254061 Patent P. No: 201110123081.0

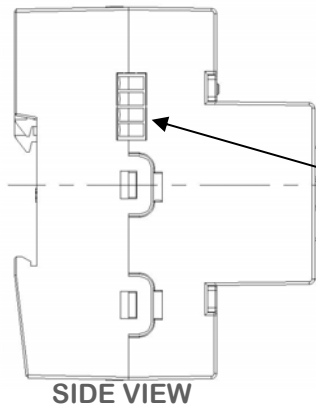
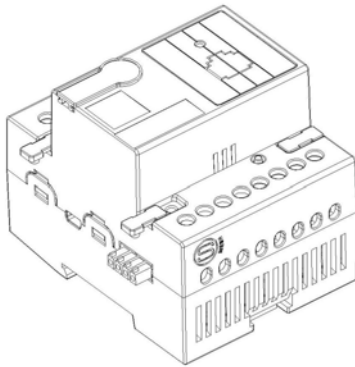
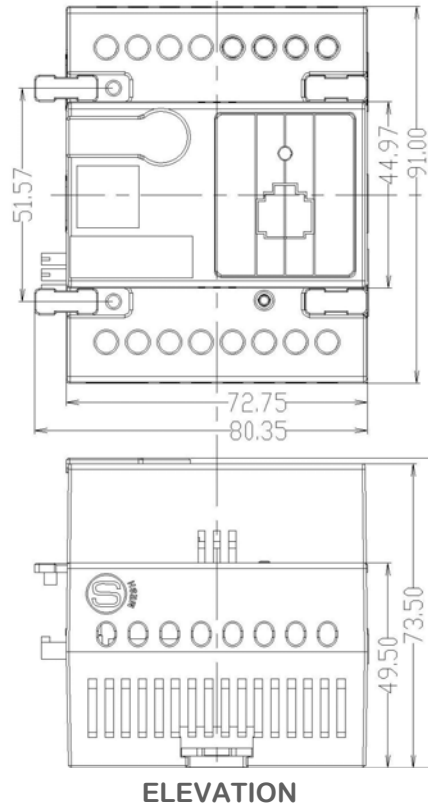


0 610696 254061

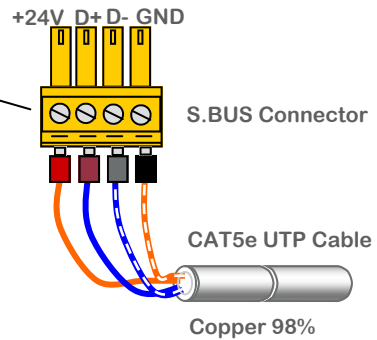
**connection diagram**



**mounting dimensions**



**S-BUS connection**



**UTP core colors**

S.BUS +24V		orange
S.BUS GND		w/orange
S.BUS D+		blue
S.BUS D-		w/blue
Spare		green
Spare		w/green
Spare +12v		brown
Spare -12V		W/brown

