



DIN-Rail Mount Dimmer 2ch 6A /per ch. with scene controller (Overheat, Overload, Surge Protection) single phase both 220/110 VAC, 50-60Hz (Green operated supplied by 24VAC/30mA) Small and elegant with easy labeling space, output status LED indicator, network health, broadcast address button and Momentary channel button. Can be used in any location that require energy saving, intelligent control such as apartment, Villa, Offices, Restaurant, Hotels or factories. Can be Manually Programmed by any Electrician on site without need for PC.

**technical data****Supply**

80-240V, 50/60Hz Single Phase  
power consumption: 20-30mA

**Outputs**

2 x dimmed outputs  
(leading edge phase control) at  
6A each output channel

**Maximum Total Load**

10A recommended total load

**Control IO**

3 x Advanced RS485 S-BUS  
serial port links (both train &  
screw link types)

**Upgrade IO**

1 x mini USB port (to connect to  
special programming board)

**User Controls**

- front panel override switches,  
Includes ON/OFF/AUTO over-  
ride switch for each channel
- LED status indicator/channel
- Diagnostic LED+ BROADCAST

**Programming**

- Manual Ch. Pairing Program-  
ming Each Channel to a Button  
on Wall Panels (e.g. DDP, 6B)
- Advanced Software Configu-  
ration & Programming

**Compliance**

CE Mark Low Voltage  
CE Mark EMC

**Internal Protection**

- Over Heat Protection
- Over Load Protection
- BUS Rv. Polarity Protection
- BUS Short Circuit Protection

**Preset and Scenes**

2X12 Built in Scenes, and 2X4  
Sequence Modes and Logics.

**Installation**

- 35mm DIN-Rail Mount Ready
- Wall Mount Ready (8P)

**SBUS DC Supply**

24VDC with flexible tolerance  
between 8-32VDC. Flexible  
ability to add power supply as  
to be needed any where

**Supply Terminals**

Line, 3X Neutral. 2 x 2.5mm<sup>2</sup>  
or 1 x 4mm<sup>2</sup> max conductor size

**Output Terminals**

COM. 1X OUT for each channel  
1 x 4mm<sup>2</sup> max conductor size

**Operating Environment**

-10° to 45°C ambient tempera-  
ture 10% to 93% RH

**Enclosure & Size**

Polycarbonate, DIN-rail (8 Unit)

**Dimensions & Weight**

W 91mm x L 145mm x H 75mm  
Packed weight 0.7kg

**load compatibility**

- Leading edge electronic transformers (Spot/Down Lights++)
- Incandescent lamps    • Track lighting

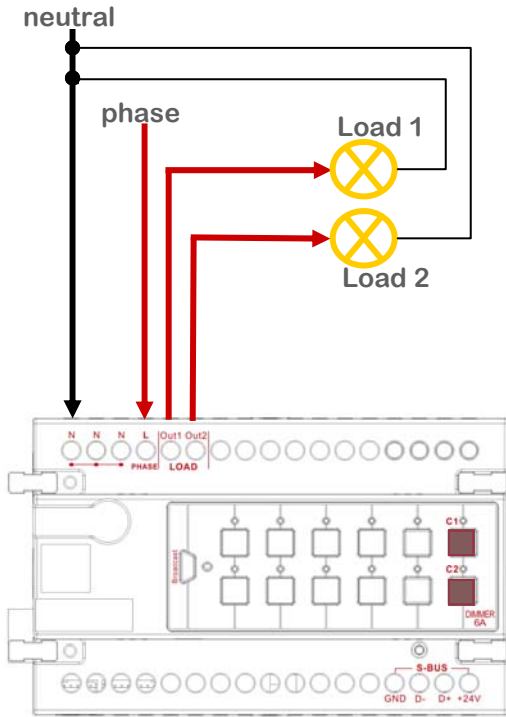
**commercial**

GTIN (UPC-EAN): 0610696253866  
Patent P. No: 201110123081.0



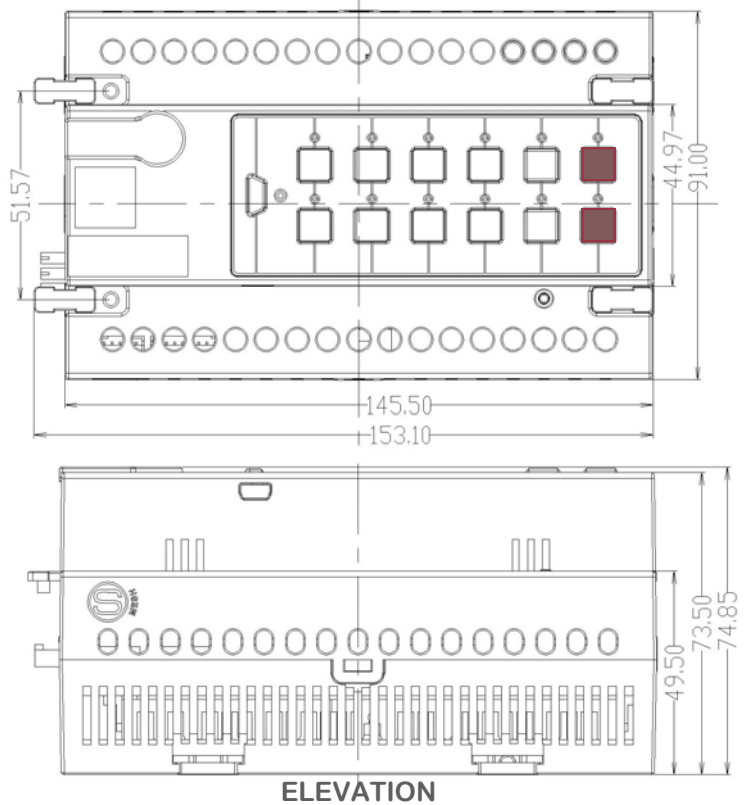
0 610696 253866

**electrical diagram** **G4**

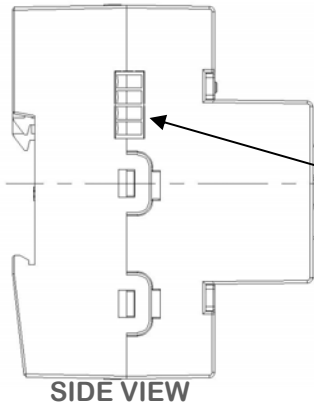
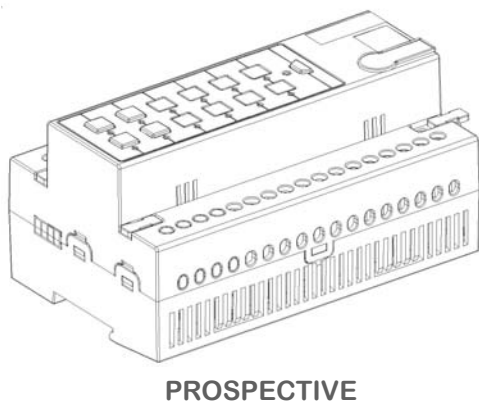


\*Loads must be from same section & phase

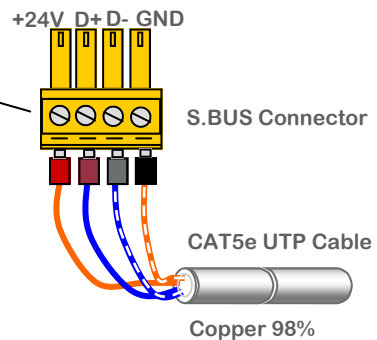
**mounting dimensions** **G4**



**Warning:** this is an electrical product, it must be installed only by trained & licensed electrician



**S-BUS connection** **G4**



**UTP core colors** **G4**

S.BUS +24V		orange
S.BUS GND		w/orange
S.BUS D+		blue
S.BUS D-		w/blue
Spare		green
Spare		w/green
Spare +12v		brown
Spare -12V		w/brown



www.smarthomebus.com • info@smarthomebus.com  
USA - Germany - Denmark - Hong Kong - Jordan - China - UAE

SB-G4 Data Sheet Rev 1.0 released Sept 2011

Specifications subject to change without notice. © Smarthome® -Group Trading as Smart-BUS®, Texas 77043 - USA. All rights reserved. Smart Mesh®, Smarthome BUS® and all other associated logos are the registered trademarks of Smart-Group®. Not to be used nor reproduced without written permission. All Patents and IPO's Remain owned by SmartHome® Group