



DIN-Rail Mount Dimmer 6ch 2A /per ch. with scene controller (Overheat, Overload, Surge Protection) single phase both 220/110 VAC, 50-60Hz (Green operated supplied by 24VAC/30mA) Small and elegant with easy labeling space, output status LED indicator, network health, broadcast address button and Momentary channel button. Can be used in any location that require energy saving, intelligent control such as apartment, Villa, Offices, Restaurant, Hotels or factories. Can be Manually Programmed by any Electrician on site without need for PC.

technical data



Supply

80-240V, 50/60Hz Single Phase
power consumption: 20-30mA

Outputs

6 x dimmed outputs
(leading edge phase control) at
2A each output channel

Maximum Total Load

10A recommended total load

Control IO

3 x Advanced RS485 S-BUS
serial port links (both train &
screw link types)

Upgrade IO

1 x mini USB port (to connect to
special programming board)

User Controls

- front panel override switches, Includes ON/OFF/AUTO override switch for each channel
- LED status indicator/channel
- Diagnostic LED+ BROADCAST

Programming

- Manual Ch. Pairing Programming Each Channel to a Button on Wall Panels (e.g. DDP, 6B)
- Advanced Software Configuration & Programming

Compliance

CE Mark Low Voltage
CE Mark EMC

Internal Protection

- Over Heat Protection
- Over Load Protection
- BUS Rv. Polarity Protection
- BUS Short Circuit Protection

Preset and Scenes

6X12 Built in Scenes, and 6X4
Sequence Modes and Logics.

Installation

- 35mm DIN-Rail Mount Ready
- Wall Mount Ready (8P)

SBUS DC Supply

24VDC with flexible tolerance
between 8-32VDC. Flexible
ability to add power supply as
to be needed any where

Supply Terminals

Line, 3X Neutral. 2 x 2.5mm²
or 1 x 4mm² max conductor size

Output Terminals

COM. 1X OUT for each channel
1 x 4mm² max conductor size

Operating Environment

-10° to 45°C ambient tempera-
ture 10% to 93% RH

Enclosure & Size

Polycarbonate, DIN-rail (8 Unit)

Dimensions & Weight

W 91mm x L 145mm x H 75mm
Packed weight 0.7kg



load compatibility



- Leading edge electronic transformers (Spot/Down Lights++)
- Incandescent lamps • Track lighting



commercial

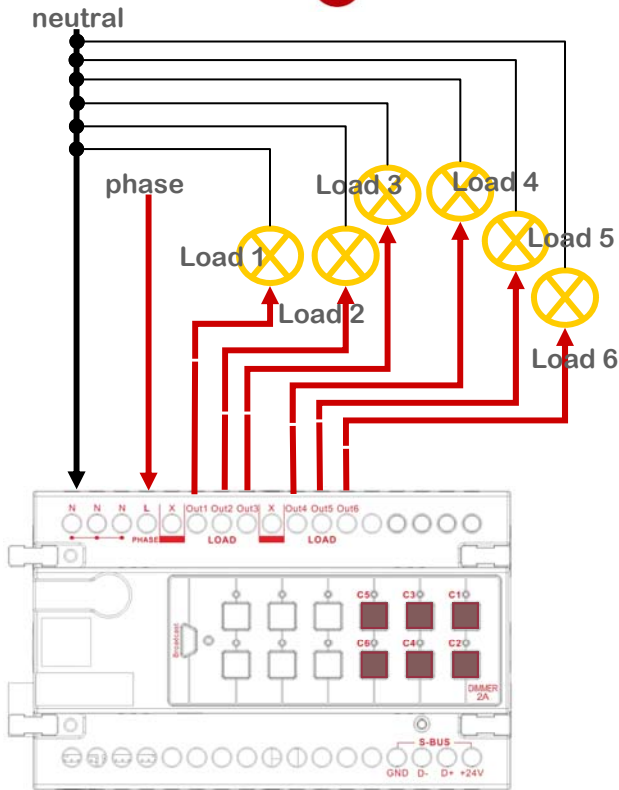


GTIN (UPC-EAN): 0610696253880
Patent P. No: 201110123081.0



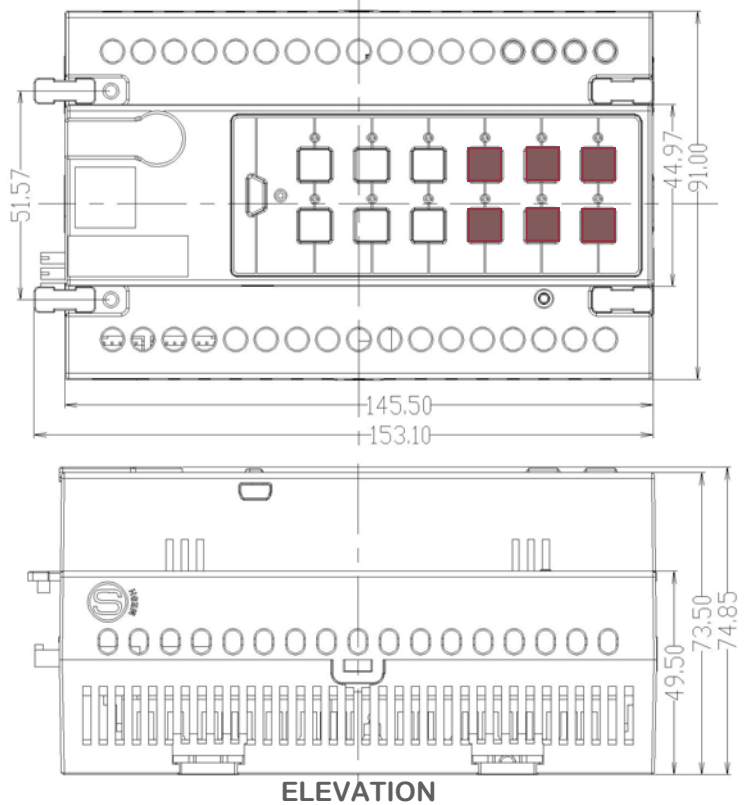
0 610696 253880

electrical diagram **G4**

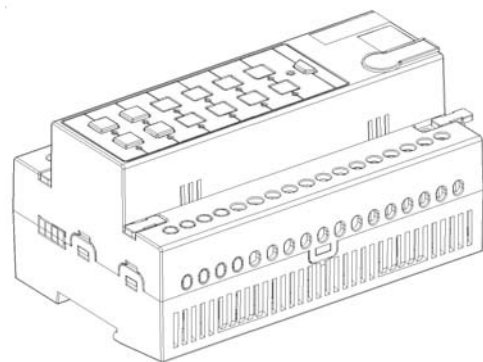


*Loads must be from same section & phase

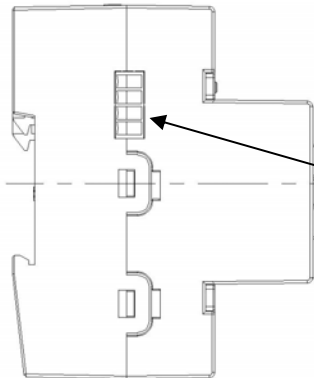
mounting dimensions **G4**



Warning: this is an electrical product, it must be installed only by trained & licensed electrician

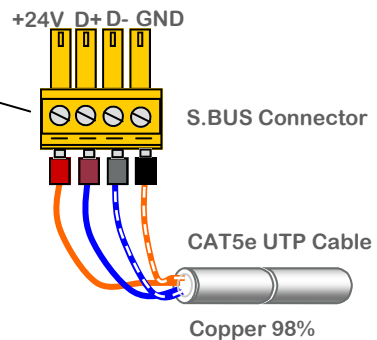


PROSPECTIVE



SIDE VIEW

S-BUS connection **G4**



UTP core colors **G4**

S.BUS +24V		orange
S.BUS GND		w/orange
S.BUS D+		blue
S.BUS D-		w/blue
Spare		green
Spare		w/green
Spare +12v		brown
Spare -12V		W/brown



www.smarthomebus.com • info@smarthomebus.com
USA - Germany - Denmark - Hong Kong - Jordan - China - UAE

SB-G4 Data Sheet Rev 1.0 released Sept 2011

Specifications subject to change without notice. © Smarthome® -Group Trading as Smart-BUS®, Texas 77043 - USA. All rights reserved. Smart Mesh®, Smarthome BUS® and all other associated logos are the registered trademarks of Smart-Group®. Not to be used nor reproduced without written permission. All Patents and IPO's Remain owned by SmartHome® Group