



Generation-4 SBUS

DIN-Rail Mount Switched Pass Through Relay 12ch 10A /per ch. with scene controller Multi Phase, Multi-Current, Multi voltage. Software Selectable programmable Motor function: Double Throw Dipole Grouping. Work 220/110 VAC, 50-60Hz as well as 1.5-48VDC (Green operated supplied by 24VAC/12mA) Small and elegant with easy labeling space, output status LED indicator, network health, broadcast address button and Momentary channel button. Can be used in any location that require energy saving, intelligent control such as apartment, Villa, Offices, Restaurant, Hotels or factories. *Can be Manually Programmed by any Electrician on site without need for PC.
** (This is an Advanced 2-way module. Changing load status manually reflect and update on all Connected SW & Devices)

technical data



Supply

80-230VAC, 50/60Hz 1-3Phase and Pass through 1.5-48VDC. power consumption: 20-30mA

Outputs

12 x Isolated & Separated Switched Pass through outputs rated at 9A each output ch.

Maximum Total Load

100A total load of all channels

Control IO

3 x Advanced RS485 S-BUS serial port links (both train & screw link types)

Upgrade IO

1 x mini USB port (to connect to special programming board)

User Controls

- front panel override switches, Includes ON/OFF/AUTO override switch for each channel
- LED status indicator/channel
- Diagnostic LED+ BROADCAST

Programming

- Manual Ch. Pairing Programming Each Channel to a Button on Wall Panels (e.g. DDP, 6B)
- Advanced Software Configuration & Programming

Compliance

CE Mark Low Voltage
CE Mark EMC

Internal Protection

- Over Load Protection
- Protecting Delay 0-60min
- Startup Delay 0-25 Sec.
- BUS Rv. Polarity Protection
- BUS Short Circuit Protection

Preset and Scenes

12X12 Built in Scenes, & 12X2 Sequence Modes & Logics.

Installation

- 35mm DIN-Rail Mount Ready
- Wall Mount Ready (8P)

SBUS DC Supply

24VDC with flexible tolerance between 12-32VDC. Flexible ability to add power supply as to be needed any where

Supply Terminals

12 each is good for 2 x 2.5mm² or 1 x 4mm² max conductor size

Output Terminals

12 each is good for 2 x 2.5mm² or 1 x 4mm² max conductor size

Operating Environment

0° to 45°C ambient temperature
10% to 93% RH

Enclosure & Size

Polycarbonate, DIN-rail (8 Unit)

Dimensions & Weight

W 91mm x L 145mm x H 75mm
Packed weight 0.7kg



load compatibility



- All Types of Lighting
- Water Heaters & Appliances
- Water Pumps & Solenoids
- Track lighting
- Sirens, Flashers++



commercial

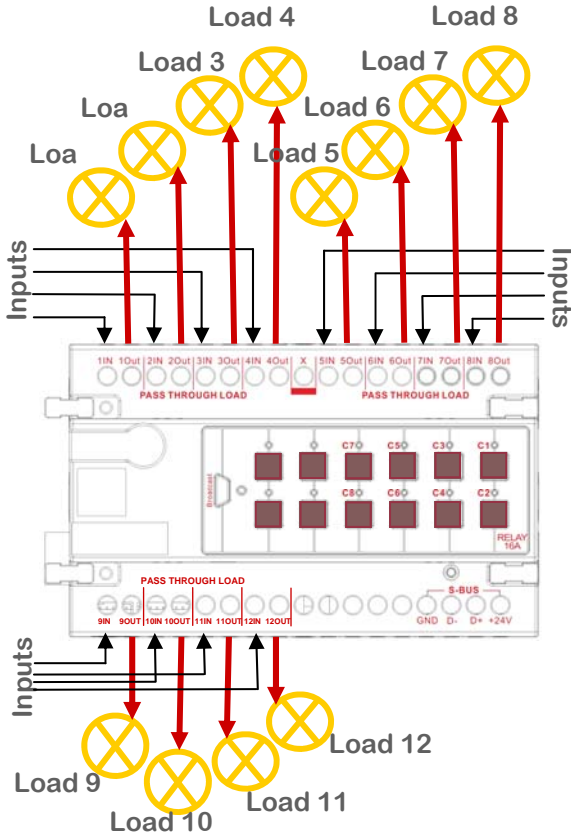


GTIN (UPC-EAN): 0610696254375
Patent P. No: 201110123081.0

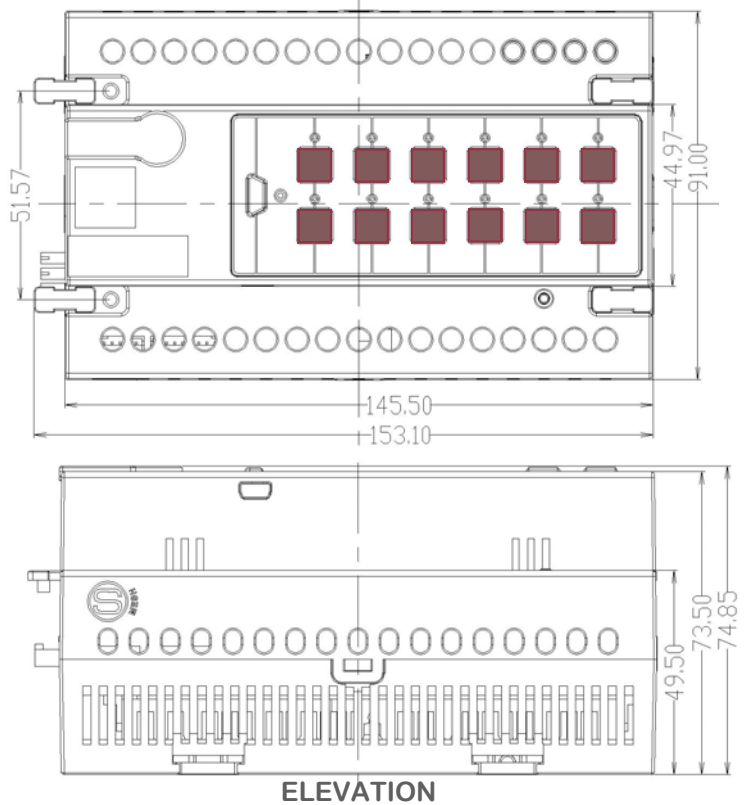


0 610696 254375

electrical diagram **G4**

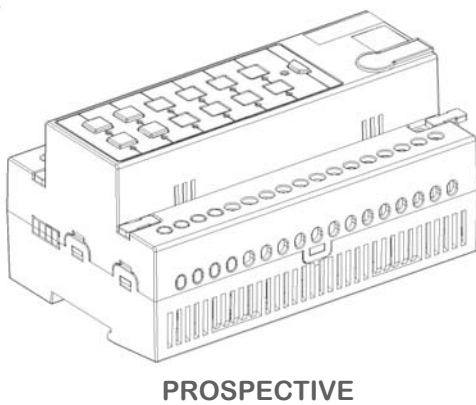


mounting dimensions **G4**



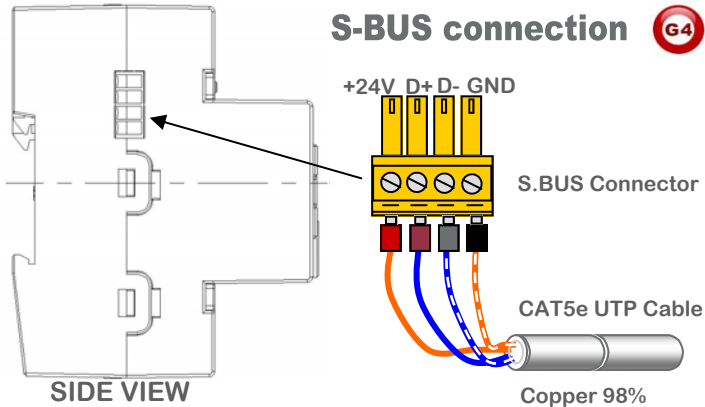
Warning: this is an electrical product, it must be installed only by trained & licensed electrician

S-BUS connection **G4**



PROSPECTIVE

SIDE VIEW



UTP core colors **G4**

- S.BUS +24V — orange
- S.BUS GND — w/orange
- S.BUS D+ — blue
- S.BUS D- — w/blue
- Spare — green
- Spare — w/green
- Spare +12v — brown
- Spare -12V — W/brown



www.smarthomebus.com • info@smarthomebus.com
USA - Germany - Denmark - Hong Kong - Jordan - China - UAE

SB-G4 Data Sheet Rev 1.0 released Sept 2011

Specifications subject to change without notice. © Smarthome® -Group Trading as Smart-BUS®, Texas 77043 - USA. All rights reserved. Smart Mesh®, Smarthome BUS® and all other associated logos are the registered trademarks of Smart-Group®. Not to be used nor reproduced without written permission. All Patents and IPO's Remain owned by SmartHome® Group