



DIN-Rail Mount Switched Pass Through Relay 4ch 16A /per ch. with scene controller Multi Phase, Multi-Current, Multi voltage. Software Selectable programmable Motor function: Double Throw Dipole Grouping. Work 220/110 VAC, 50-60Hz as well as 1.5-48VDC (Green operated supplied by 24VAC/12mA) Small and elegant with easy labeling space, output status LED indicator, network health, broadcast address button and Momentary channel button. Can be used in any location that require energy saving, intelligent control such as apartment, Villa, Offices, Restaurant, Hotels or factories. \*Can be Manually Programmed by any Electrician on site without need for PC.  
\*\* (This is an Advanced 2-way module. Changing load status manually reflect and update on all Connected SW & Devices)

**technical data**



**Supply**

80-240VAC, 50/60Hz 1-3Phase and Pass through 1.5-48VDC. power consumption: 20-30mA

**Outputs**

4 x Isolated & Separated Switched Pass through outputs rated at 16A each output ch.

**Maximum Total Load**

64A total load of all channels

**Control IO**

3 x Advanced RS485 S-BUS serial port links (both train & screw link types)

**Upgrade IO**

1 x mini USB port (to connect to special programming board)

**User Controls**

- front panel override switches, Includes ON/OFF/AUTO override switch for each channel
- LED status indicator/channel
- Diagnostic LED+ BROADCAST

**Programming**

- Manual Ch. Pairing Programming Each Channel to a Button on Wall Panels (e.g. DDP, 6B)
- Advanced Software Configuration & Programming

**Compliance**

CE Mark Low Voltage  
CE Mark EMC

**Internal Protection**

- Over Load Protection
- Protecting Delay 0-60min
- Startup Delay 0-25 Sec.
- BUS Rv. Polarity Protection
- BUS Short Circuit Protection

**Preset and Scenes**

4X12 Built in Scenes, and 4X2 Sequence Modes and Logics.

**Installation**

- 35mm DIN-Rail Mount Ready
- Wall Mount Ready (8P)

**SBUS DC Supply**

24VDC with flexible tolerance between 12-32VDC. Flexible ability to add power supply as to be needed any where

**Supply Terminals**

4 each is good for 2 x 2.5mm<sup>2</sup> or 1 x 4mm<sup>2</sup> max conductor size

**Output Terminals**

4 each is good for 2 x 2.5mm<sup>2</sup> or 1 x 4mm<sup>2</sup> max conductor size

**Operating Environment**

0° to 45°C ambient temperature  
10% to 93% RH

**Enclosure & Size**

Polycarbonate, DIN-rail (8 Unit)

**Dimensions & Weight**

W 91mm x L 145mm x H 75mm  
Packed weight 0.55kg



**load compatibility**



- All Types of Lighting
- Water Heaters & Appliances
- Water Pumps & Solenoids
- Track lighting
- Sirens, Flashers++



commercial

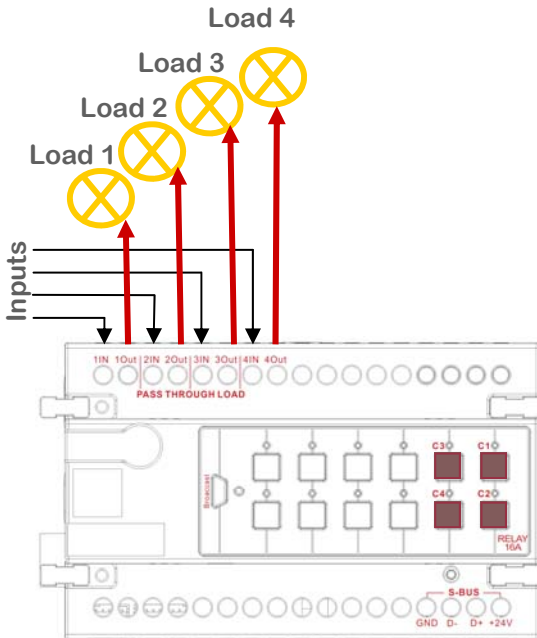


GTIN (UPC-EAN): 0610696254429  
Patent P. No: 201110123081.0



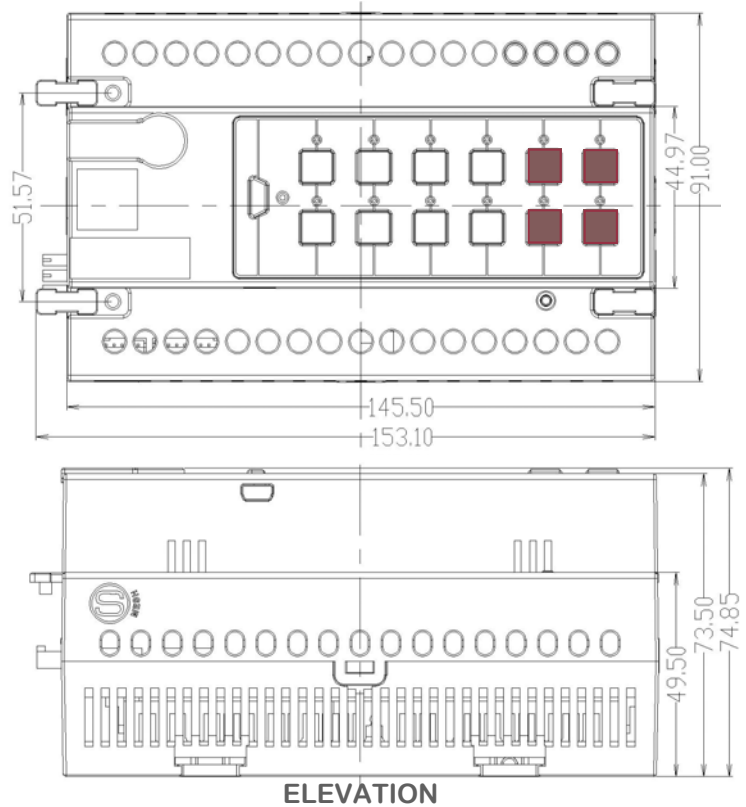
0 610696 254429

**electrical diagram** G4

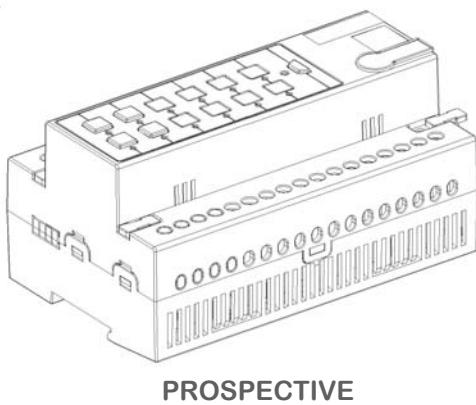


\*Loads Inputs Can be from Different Phases and different Voltage or frequency. Accept ELV: 80-240VAC, and ELC: 1.5-48VDC

**mounting dimensions** G4



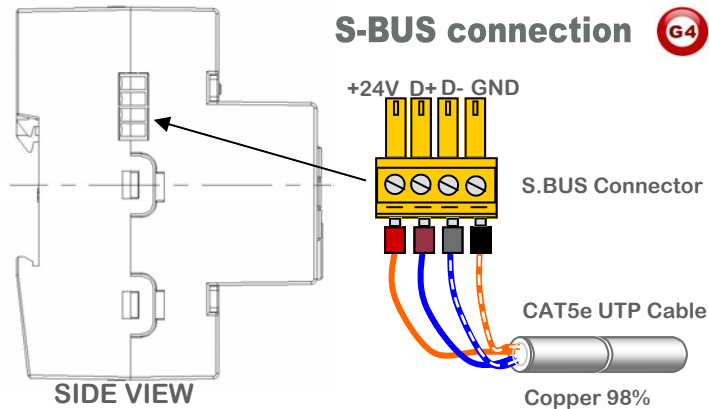
**Warning:** this is an electrical product, it must be installed only by trained & licensed electrician



PROSPECTIVE

SIDE VIEW

**S-BUS connection** G4



**UTP core colors** G4

S.BUS +24V		orange
S.BUS GND		w/orange
S.BUS D+		blue
S.BUS D-		w/blue
Spare		green
Spare		w/green
Spare +12v		brown
Spare -12V		W/brown



www.smarthomebus.com • info@smarthomebus.com  
USA - Germany - Denmark - Hong Kong - Jordan - China - UAE

SB-G4 Data Sheet Rev 1.0 released Sept 2011

Specifications subject to change without notice. © Smarthome® -Group Trading as Smart-BUS®, Texas 77043 - USA. All rights reserved. Smart Mesh®, Smarthome BUS® and all other associated logos are the registered trademarks of Smart-Group®. Not to be used nor reproduced without written permission. All Patents and IPO's Remain owned by SmartHome® Group