



DIN-Rail Mount Security Monitoring Module. It can Handle and Monitor 250,000 Addressable Zones. Ready with 6 Protection Preset Modes as well as 24 Hour Monitored Zones. It Support up to 8 Different Areas in one Module. Monitoring compatible for both NO/NC, Panic, Entry, Exit with Delay, 1-4Times with exit time restart, SMS and Dial up to 10 Numbers for Each Alarm type at different Shift. Bypass, restore, reset, siren Delay, with Lock all Panels ability. Added function and recorded Alarm History Recall.

technical data



Security Modes

- Arm/Disarm
- Vacation, Away, Night, Night with Guest, Day, Off
- 24 Hours Monitored Zones

Addressable Zones

Up to 250,000 Addressable Zones.

Maximum Areas

Each Module can Handle up to 8 Areas or Buildings

Control IO

3 x Advanced RS485 S-BUS serial port links (both train & screw link types)

Upgrade IO

1 x mini USB port (to connect to special programming board)

User Controls

- LED status indicator/channel
- Diagnostic LED+ BROADCAST

Programming

· Advanced Software Configuration & Programming

Compliance

CE Mark EMC

Operation Protection

- BUS Rv. Polarity Protection
- BUS Short Circuit Protection

Trigger Delay Time

Configurable Delay as To be Assigned as Entry, Exit, Siren. Delay can be 1 Time, 2 Times, 3 times, or 4Times.

SBUS DC Supply

24VDC with flexible tolerance between 8-32VDC. Flexible ability to add power supply as to be needed any where
Power consumption: 15mA

Installation

- 35mm DIN-Rail Mount Ready
- Wall Mount Ready (4P)

Operating Environment

0° to 45°C ambient temperature
20% to 93% RH

Enclosure & Size

Polycarbonate, DIN-rail (4 Unit)

Dimensions & Weight

W 91mm x L 73mm x H 75mm
Packed weight 0.22 kg



SEC compatibility



- Burglary
- Water Leak
- Gas Leak
- Fire Backup
- NO/NC
- Logical / BUS Enabled



commercial

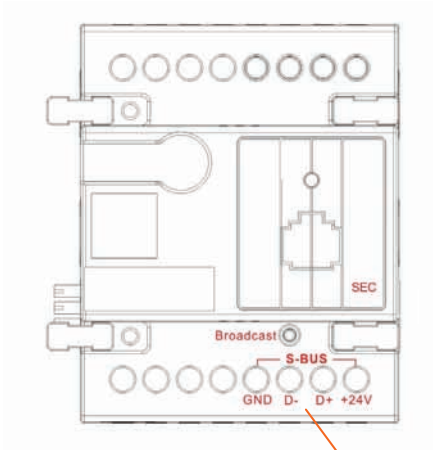


GTIN (UPC-EAN): 0610696254047
Patent P. No: 201110123081.0



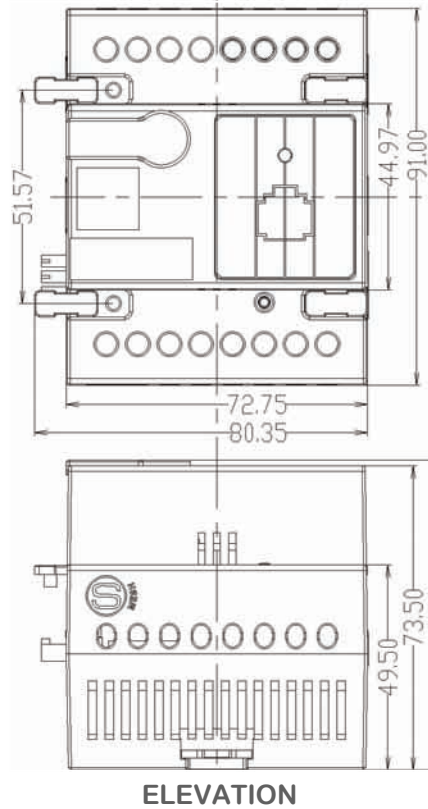
0 610696 254047

connection diagram **G4**

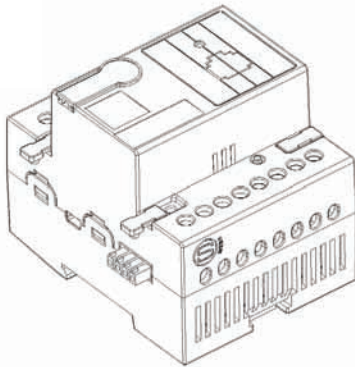


S.BUS MESH Network

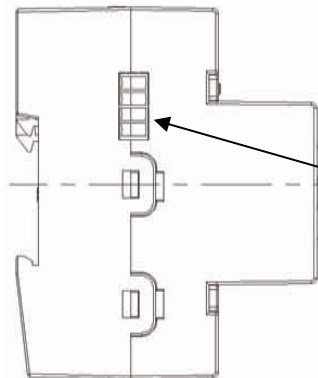
mounting dimensions **G4**



ELEVATION

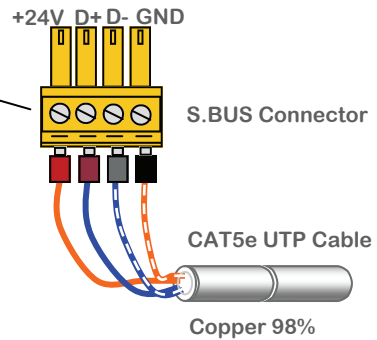


PROSPECTIVE



SIDE VIEW

S-BUS connection **G4**



UTP core colors **G4**

S.BUS +24V		orange
S.BUS GND		w/orange
S.BUS D+		blue
S.BUS D-		w/blue
Spare		green
Spare		w/green
Spare +12v		brown
Spare -12V		W/brown



www.smarthomebus.com • info@smarthomebus.com
USA - Germany - Denmark - Hong Kong - Jordan - China - UAE

SB-G4 Data Sheet Rev 1.0 released Sept 2011

Specifications subject to change without notice. © Smarthome® -Group Trading as Smart-BUS®, Texas 77043 - USA. All rights reserved. Smart Mesh®, Smarthome BUS® and all other associated logos are the registered trademarks of Smart-Group®. Not to be used nor reproduced without written permission. All Patents and IPO's Remain owned by SmartHome® Group