



Mini Sized 2-Relay Module to Control Any Needed Small Loads from Low current devices as trigger, momentary, or latching operation. This 2R Module fits inside any Back box as well inside third party Panels. Some of the applications to use this module are: Siren, Flasher, Integration to Auto Dialers and third Party Alarm systems, Door Lock release, Gate motor, Curtains ++. Also the Module can be used for very low AC Applications with Low loads like: Lighting (on/Off). Motor Double Throw (Dipole Function) (Kindly Refer to Load Rating Guide)

\*\*Added function: Bigger screw terminals, Broadcast button, and mini USB firmware upgrade port.

**technical data**



**Outputs**

2 Addressable Relay Outputs (5A rated Contacts).

**Operation Protection**

- BUS Rv. Polarity Protection
- BUS Short Circuit Protection

**Load Rating Range**

This Module is Meant to be used mainly with Low Current applications. Rating Guide:

- 12-30VDC = 6A
- 110VAC = 5A
- 220VAC = 5A

**Applications**

Door Lock Release, Siren, Flasher Trigger, Alarm System Integration, Curtain Motor Control, Low Load Lighting, Gate / Garage Motor Trigger..etc.



**Control IO**

1 x Advanced RS485 S-BUS serial port links (both train & screw link types)

**Trigger Function**

- Software Selectable
- NO
- NC
- Momentary
- Latch
- Double Throw

**Upgrade IO**

1 x mini USB port (to connect to special programming board)

**SBUS DC Supply**

24VDC with flexible tolerance between 8-36VDC. Flexible ability to add power supply as to be needed any where  
Power consumption: 15mA

**User Controls**

- LED status indicator/channel
- Diagnostic LED+ BROADCAST

**Programming**

- Advanced Software Configuration & Programming

**Installation**

- universal Mount Ready



**Compliance**

- CE Mark EMC
- ROHs
- UL Listed Relays Inside

**Operating Environment**

0° to 45°C ambient temperature  
20% to 93% RH

**Enclosure material**

APS Polycarbonate,

**Dimensions & Weight**

W 46mm x L 46mm x H 16mm  
Packed weight 0.06 kg

**control compatibility**



- Applications Include: Door Lock Release, Siren, Flasher Trigger, Alarm System Integration, Curtain Motor Control, Low Load Lighting, Gate / Garage Motor Trigger..etc.



commercial



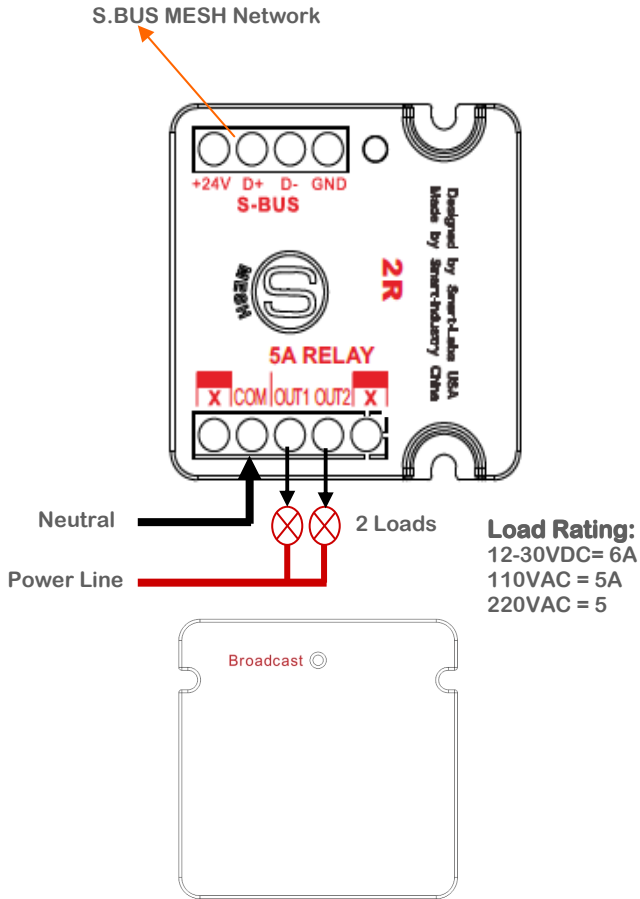
GTIN (UPC-EAN): 0610696255013  
Patent P. No: 201110123081.0



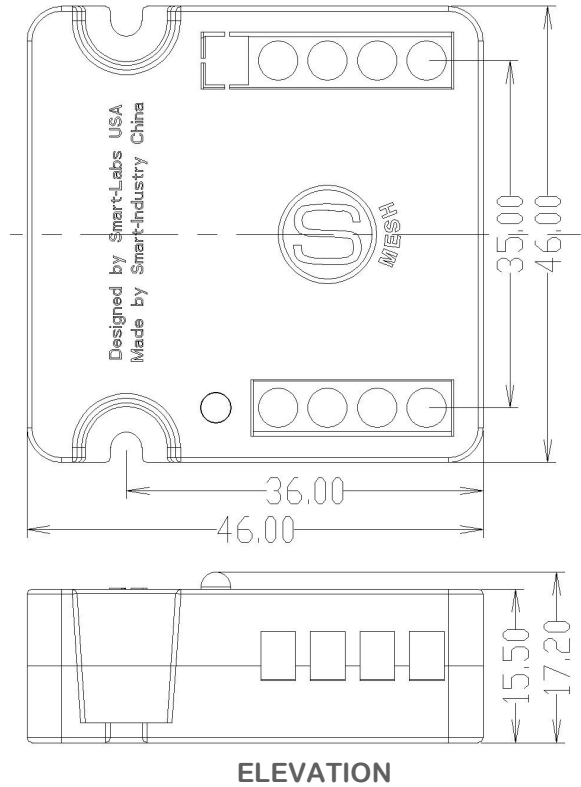
0 610696 255013



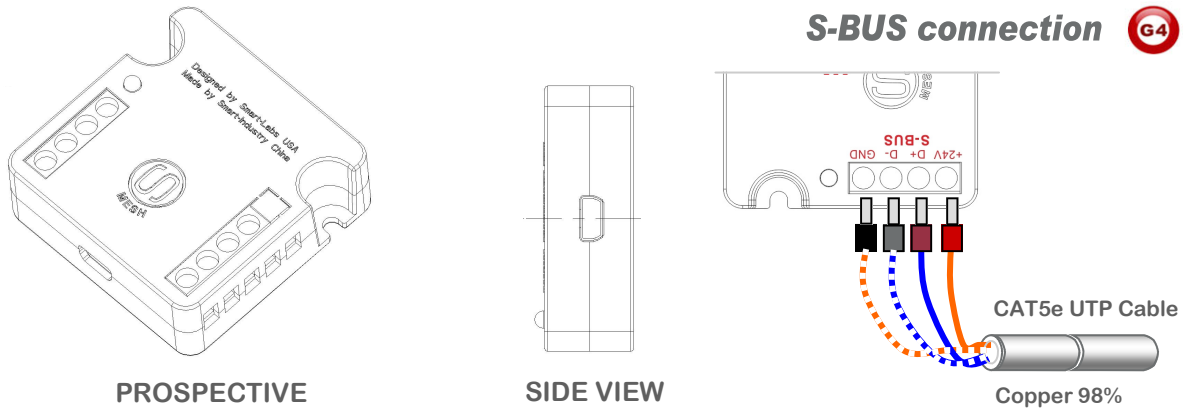
**connection diagram** G4



**mounting dimensions** G4



**S-BUS connection** G4



**UTP core colors** G4

S.BUS +24V		orange
S.BUS GND		w/orange
S.BUS D+		blue
S.BUS D-		w/blue
Spare		green
Spare		w/green
Spare +12v		brown
Spare -12V		W/brown



www.smarthomebus.com • info@smarthomebus.com  
USA - Germany - Denmark - Hong Kong - Jordan - China -

**SB-G4 Data Sheet Rev 2.0 released Dec.2012**

Specifications subject to change without notice. © Smarthome® -Group Trading as Smart-BUS®. Texas 77043 - USA. All rights reserved. Smart Mesh®, Smarthome BUS® and all other associated logos are the registered trademarks of Smart-Group®. Not to be used nor reproduced without written permission. All Patents and IPO's Remain owned by Smarthome® Group

