



Mini Sized 3-Relay Module to Control Any Needed Small Loads from Low current devices as trigger, momentary, or latching operation. This 3R Module fits inside any Back box as well inside third party Panels. Some of the applications to use this module are: Siren, Flasher, Integration to Auto Dialers and third Party Alarm systems, Door Lock release, Gate motor, Curtains ++. Also the Module can be used for very low AC Applications with very low loads like: Lighting (on/Off). (Kindly Refer to Load Rating Guide)

**Added function: Bigger screw terminals, Broadcast button, and mini USB firmware upgrade port.

technical data

Outputs
3 Addressable Outputs (Contacts).

Operation Protection
·BUS Rv. Polarity Protection
·BUS Short Circuit Protection

Load Rating Range
This Module is Meant to be used mainly with Low Current applications. Rating Guide:
12-30VDC= 2A
110VAC = 0.5A
220VAC = 0.25A

Applications
Door Lock Release, Siren, Flasher Trigger, Alarm System Integration, Curtain Motor Control, Low Load Lighting, Gate / Garage Motor Trigger..etc.



*** Load Warning:**
* Do not Use with Fluorescent nor with CFL fixtures

Trigger Function
Software Selectable
NO
NC
Momentary
Latch
Double Throw

Control IO
1 x Advanced RS485 S-BUS serial port links (both train & screw link types)

SBUS DC Supply
24VDC with flexible tolerance between 8-36VDC. Flexible ability to add power supply as to be needed any where
Power consumption: 15mA

Upgrade IO
1 x mini USB port (to connect to special programming board)

User Controls
· LED status indicator/channel
· Diagnostic LED+ BROADCAST

Installation
· universal Mount Ready



Programming
· Advanced Software Configuration & Programming

Operating Environment
0° to 45°C ambient temperature
20% to 93% RH

Compliance
CE Mark EMC
ROHs, CPT
UL Listed Relays Inside

Enclosure material
APS Polycarbonate,

Dimensions & Weight
W 46mm x L 46mm x H 16mm
Packed weight 0.06 kg

control compatibility

· **Applications Include:** Door Lock Release, Siren, Flasher Trigger, Alarm System Integration, Curtain Motor Control, Low Load Lighting, Gate / Garage Motor Trigger..etc.



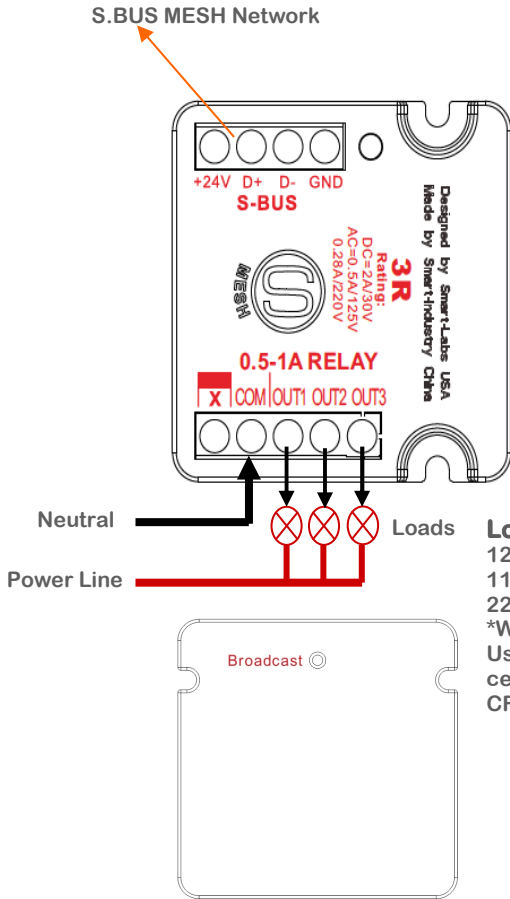
GTIN (UPC-EAN): 0610696254627
Patent P. No: 201110123081.0



0 610696 254627

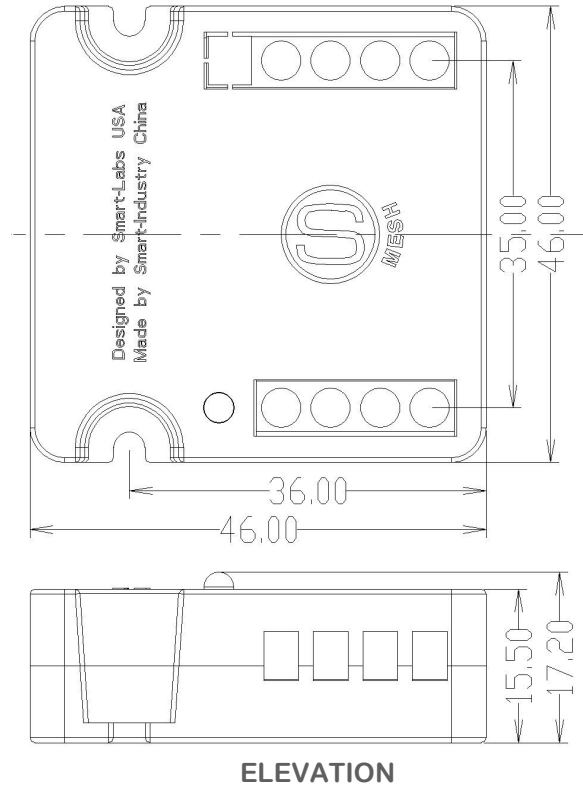


connection diagram G4

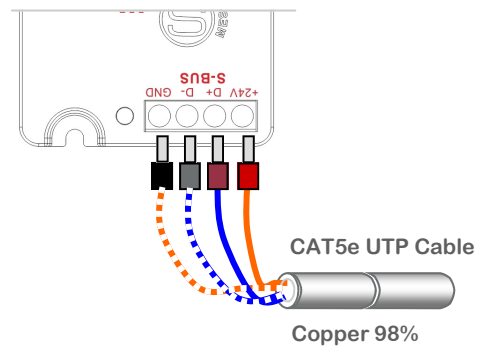
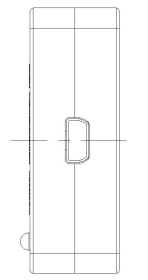
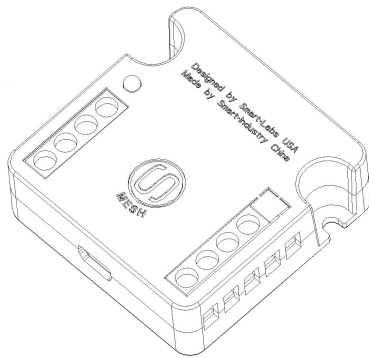


Load Rating:
 12-30VDC = 2A
 110VAC = 0.5A
 220VAC = 0.25A
 *Warning: Do not
 Use with Fluorescent
 nor with CFL fixtures

mounting dimensions G4



S-BUS connection G4



www.smarthomebus.com • info@smarthomebus.com
 USA - Germany - Denmark - Hong Kong - Jordan - China -

SB-G4 Data Sheet Rev 2.0 released Dec.2012

Specifications subject to change without notice. © Smarthome® -Group Trading as Smart-BUS®. Texas 77043 - USA. All rights reserved. Smart Mesh®, Smarthome BUS® and all other associated logos are the registered trademarks of Smart-Group®. Not to be used nor reproduced without written permission. All Patents and IPO's Remain owned by SmartHome® Group



UTP core colors G4

S.BUS +24V		orange
S.BUS GND		w/orange
S.BUS D+		blue
S.BUS D-		w/blue
Spare		green
Spare		w/green
Spare +12V		brown
Spare -12V		W/brown