



4-Temperature Sensors Input Module

A state of Art Mini Sized Temperature Measuring Module that accept 4 Addressable Inputs. This Innovative Design allow easy mounting any where within the Body of any third Party Equipment, or inside any Wall Back box conveniently. The 4-T Works with SB-Temp2-UN Temp Sensors and accept wide Temperature ranges from -Ve 50 to +ve 150 Degrees Celsius. This Device Is Perfect for use with Under floor Heating, Pool temperature, wine Cellar Temperature, Sauna, Jacuzzi and Many More.

\*\*Added function: Bigger screw terminals, Broadcast button, and mini USB firmware upgrade port.

technical data



Inputs

4 Addressable Inputs Uses SB-Temp2-UN Temp Sensors

Operation Protection

- BUS Rv. Polarity Protection
• BUS Short Circuit Protection



Sensor Reading range

The Sensor and Module accept readings as low as -50 Degrees below zero, and up to 150 degrees Celsius.

Applications

Under floor Heating, Sauna and Jacuzzi, Air-conditioning, Boilers and swimming Pool Heat Exchange

Trigger Function

The device Can Trigger Relays, HVAC, and Other Logic status Based Functions.

Calibration

Each Temperature Port Can Be calibrated Individually to match accurate Temp. reading according to Installation Environment, Distance and Materials.

Control IO

1 x Advanced RS485 S-BUS serial port links (both train & screw link types)

SBUS DC Supply

24VDC with flexible tolerance between 8-36VDC. Flexible ability to add power supply as to be needed any where Power consumption: 15mA

Upgrade IO

1 x mini USB port (to connect to special programming board)

User Controls

- LED status indicator/channel
• Diagnostic LED+ BROADCAST

Installation

- universal Mount Ready

Programming

- Advanced Software Configuration & Programming

Operating Environment

0° to 45°C ambient temperature
20% to 93% RH

Compliance

CE Mark EMC
ROHs, CPT

Enclosure material

APS Polycarbonate,

Dimensions & Weight

W 46mm x L 46mm x H 16mm
Packed weight 0.06 kg



control compatibility



- Applications Include: Under floor Heating, Pool temperature, wine Cellar Temperature, Sauna, Jacuzzi, Air Ducts and Many More.



commercial



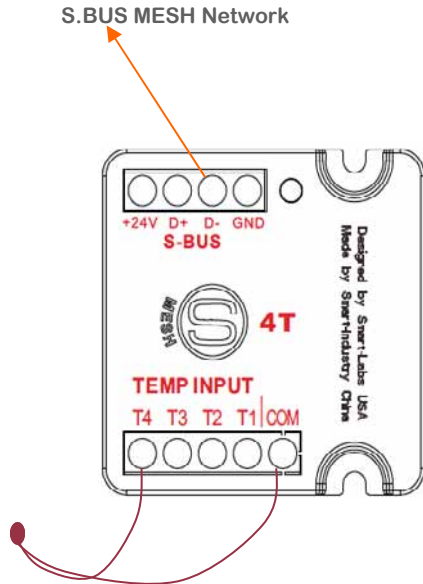
GTIN (UPC-EAN): 0610696254603
Patent P. No: 201110123081.0



0 610696 254603



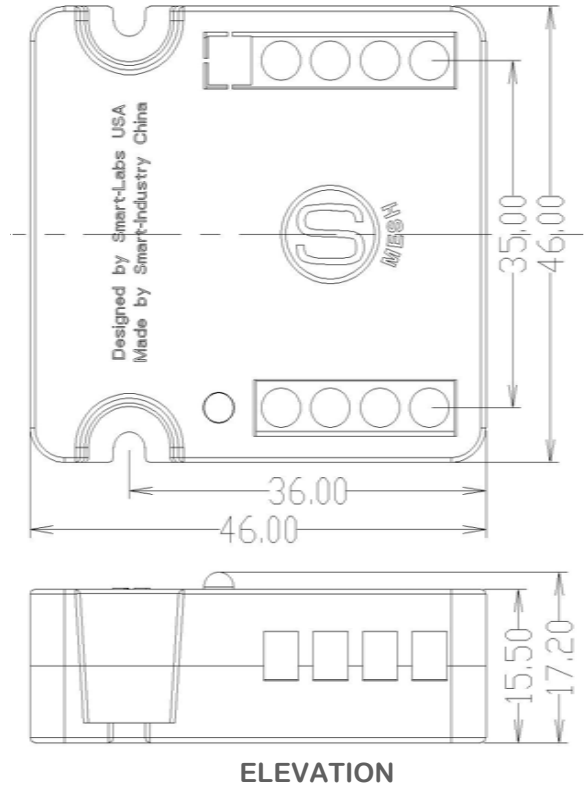
**connection diagram**



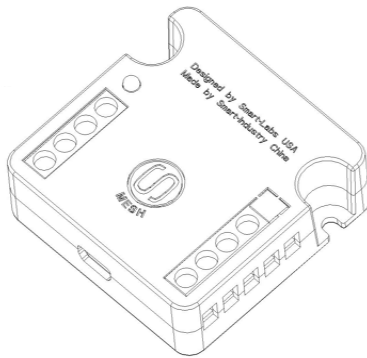
Use SB-Temp2-UN  
Temp Sensor



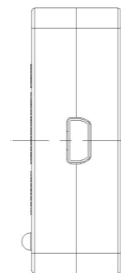
**mounting dimensions**



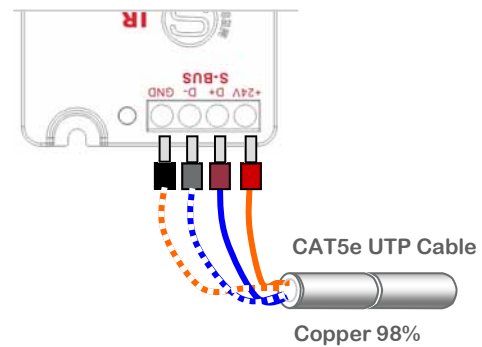
**S-BUS connection**



PROSPECTIVE



SIDE VIEW



www.smarthomebus.com • info@smarthomebus.com  
USA - Germany - Denmark - Hong Kong - Jordan - China - UAE

SB-G4 Data Sheet Rev 2.0 released Dec.2012

Specifications subject to change without notice. © Smarthome® -Group Trading as Smart-BUS®, Texas 77043 - USA. All rights reserved. Smart Mesh®, Smarthome BUS® and all other associated logos are the registered trademarks of Smart-Group®. Not to be used nor reproduced without written permission. All Patents and IPO's Remain owned by SmartHome® Group



**UTP core colors**

S.BUS +24V		orange
S.BUS GND		w/orange
S.BUS D+		blue
S.BUS D-		w/blue
Spare		green
Spare		w/green
Spare +12v		brown
Spare -12V		W/brown