



Mini Sized 2-Circuits Module designed with Variable adjustment to Fit almost any LED circuit and create the needed Flickering Suppressing function. This Module is Small in Size, Can Fit behind or into standard Back boxes and Circuit Boards/Panels. This Module Has Variable Adjustment per channel and can be used with any Dimmer from any third Party or with any Circuit that have LED flickering Issues,

technical data



Inputs

2 Circuits

Outputs

2 channels/Folds

Load Rating Range

This Module is Meant to be used mainly with LED Lights connected to Any Conventional Dimmer. (Max Load should not Be more than 4A per Channel

Compliance

CE Mark EMC
 ROHs

Applications

LED Flickering Due to Current Leakage or Build up.
 Works for Both on/Off LED lights and Dimmable LED Lights, Robe lights, Spot Lights ++ etc.

Dimmer Compatibility

- Any Third party Dimmer
- Smart-BUS Dimmer
- Any Circuit connected to LED that have Current Leakage.

Installation

- universal Mount Ready

Operating Environment

0° to 45°C ambient temperature
 10% to 93% RH

Enclosure material

APS Polycarbonate,

Dimensions & Weight

W 46mm x L 46mm x H 16mm
 Packed weight 0.06 kg



control compatibility



• Suppressing of LED flickering



commercial

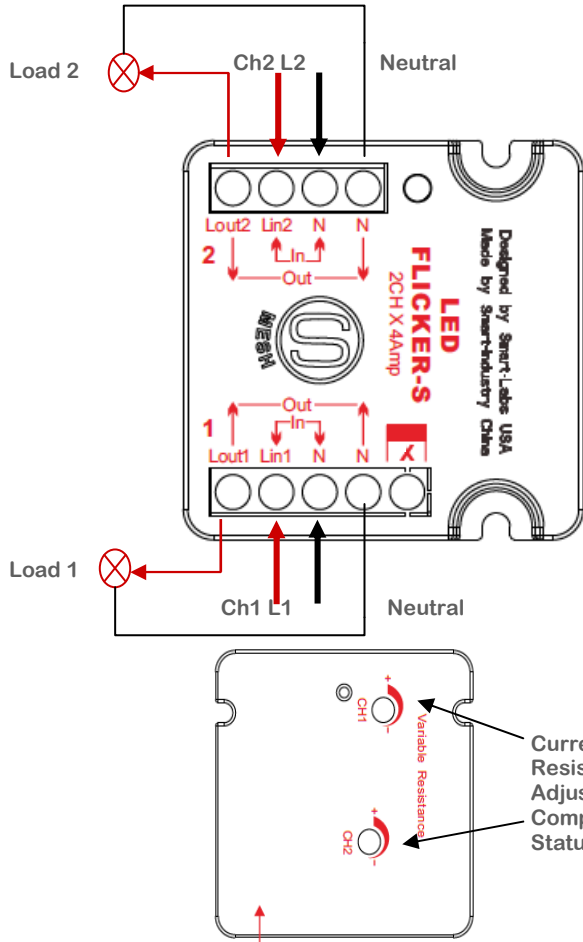


GTIN (UPC-EAN): 0610696254870
 Patent P. No: 201110123081.0

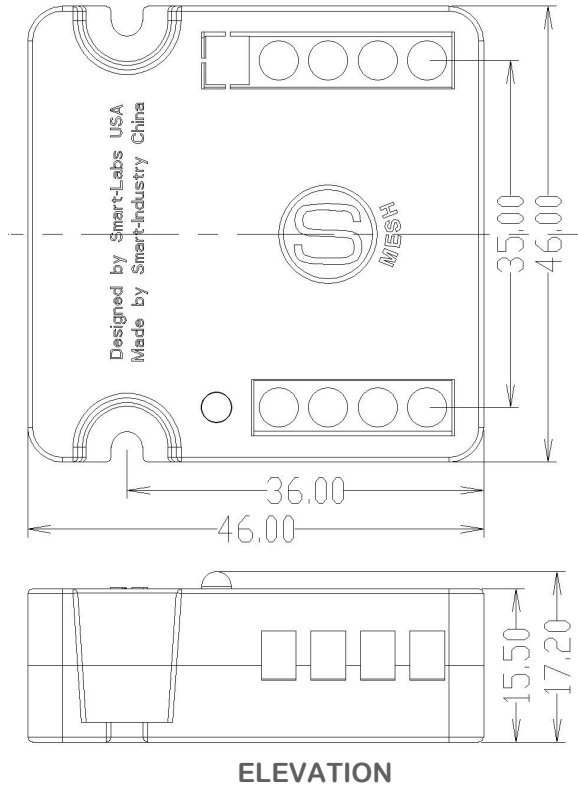


0 610696 254870

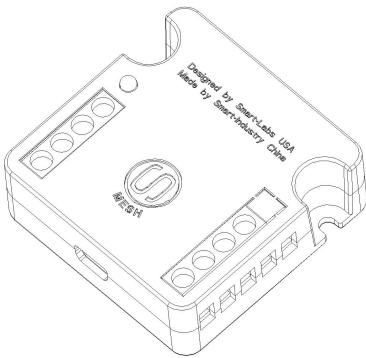
connection diagram



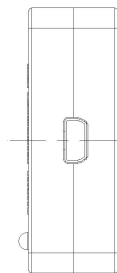
mounting dimensions



Other Views



PROSPECTIVE



SIDE VIEW

UTP core colors



www.smarthomebus.com • info@smarthomebus.com
USA - Germany - Denmark - Hong Kong - Jordan - China - UAE

SB-G4 Data Sheet Rev 2.0 released Dec.2012

Specifications subject to change without notice. © Smarthome® -Group Trading as Smart-BUS®. Texas 77043 - USA. All rights reserved. Smart Mesh®, Smarthome BUS® and all other associated logos are the registered trademarks of Smart-Group®. Not to be used nor reproduced without written permission. All Patents and IPO's Remain owned by

