



PIR Motion Sensor (Simplified)

Bus Enabled. Addressable Ceiling Mountable PIR sensor. It was designed perfectly for Automation Industry techno-lifestyle needs. This device contains: addressable PIR sensor, one output which indicate the state of the PIR sensor (you can use this output to drive the lamp, relay also some other device you like) and a 5v power supply output.

** Added function: Easy S-BUS Connectors, mini USB firmware upgrade port, & Advanced mechanical design and size to fit ceiling boxes twist in.

technical data



Inputs

1 PIR 10mX110 degrees

NO/NC

Internal Assignment enabled

Applications

• Energy Saving

User Controls

• LED status indicator/channel
• Diagnostic LED+ BROADCAST

Programming

• Advanced Software Configuration & Programming
• Manual pairing to HVAC and 1 Light channel with default 10 Min, timer

Compliance

CE Mark EMC

Controls

1 x Advanced RS485 S-BUS serial port links (screw link)

Upgrade IO

1 x mini USB port (to connect to special programming board)

Operation Protection

• BUS Rv. Polarity Protection
• BUS Short Circuit Protection

SBUS DC Supply

24VDC with flexible tolerance between 12-36VDC. Flexible ability to add power supply as to be needed anywhere
Power consumption: 15mA

Installation

• Ceiling Mount Twist & Lock Ready

Operating Environment

0° to 45°C ambient temperature
20% to 93% RH

Enclosure Material

Polycarbonate

Dimensions & Weight

W 85mm x L 85mm x H 39mm
Packed weight 0.14 kg



control compatibility



• Security • Safety • Maintenance • Health
• Automation



commercial



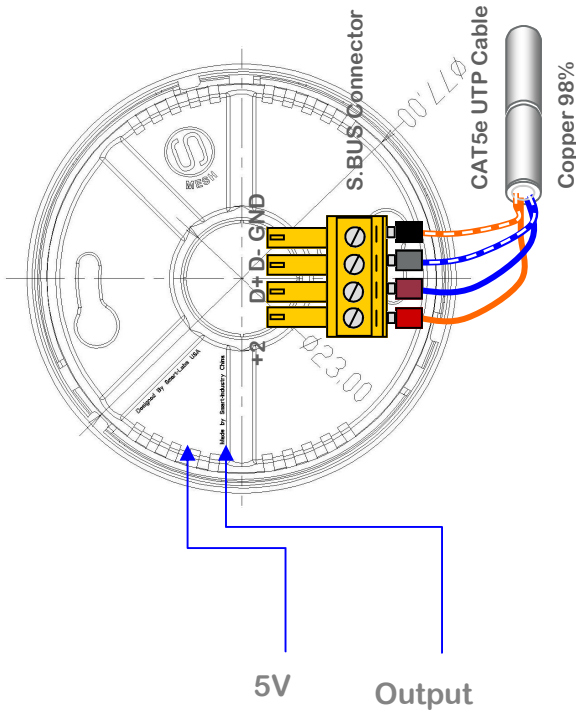
GTIN (UPC-EAN): 0610696253989
Patent P. No: 201110123081.0
Patent P. No: 201120213375.8



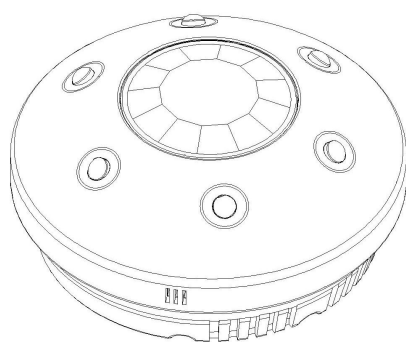
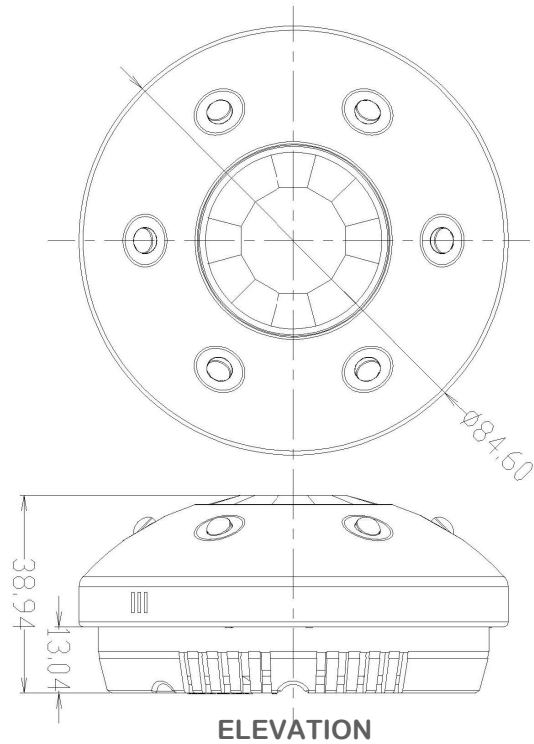
0 610696 253989



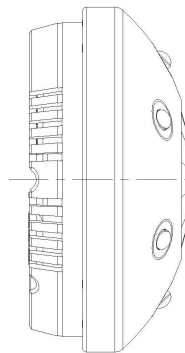
connection diagram



mounting dimensions

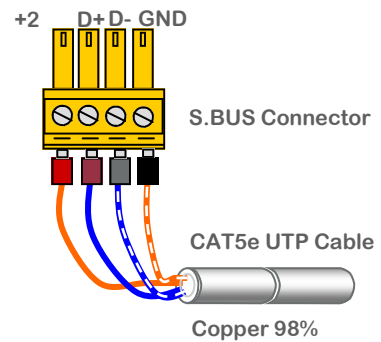


PROSPECTIVE



SIDE VIEW

S-BUS connection



www.smarthomebus.com • info@smarthomebus.com
USA - Germany - Denmark - Hong Kong - Jordan - China -

SB-G4 Data Sheet Rev 2.0 released Dec.2012

Specifications subject to change without notice. © Smarthome® -Group Trading as Smart-BUS®. Texas 77043 - USA. All rights reserved. Smart Mesh®, Smarthome BUS® and all other associated logos are the registered trademarks of Smart-Group®. Not to be used nor reproduced without written permission. All Patents and IPO's Remain owned by Smarthome® Group



UTP core colors

S.BUS +24V		orange
S.BUS GND		w/orange
S.BUS D+		blue
S.BUS D-		w/blue
Spare		green
Spare		w/green
Spare +12v		brown
Spare -12V		W/brown