



Hotel Door Access Bell Panel with Service

The module is a part of the Smart Hotel GRMS control system, built in Mifare Proximity Card Reader, Large-capacity flash memory (save up to one year open door log), Room service state indication (Back Lit), Door Relay for Lock Control, Logic Control Module & Time Clock, Buzzer, Online update. Bus Enabled Network. Secure, Screw less Fixing Magnet Technology, Include 1Z for Door Magnet, No Need for Special Back box (Uses standard3x3)

technical data



Mifare Proximity Card Reader Compatibility

- Mifare s50 Card
- Mifare s70 Card



Extra features

- Card authority level can be set (the guest card & hotel management card)
- Password management
- Can store the access log number up to 50000
- Access log can be derived, deleted by SBUS
- Warning when the door long time is open state

Control IO

- 1 x Advanced RS485 S-BUS serial port links (train types)
- 1 x 0.5A Relay for Lock Control
- 1 x Dry Node for connect with door magnet (Enable NC/NO)
- 1 x Dry Node for general purpose
- 1 x Buzzer

Upgrade IO

- 1 x mini USB port (to connect to special programming board)



User Controls

- Diagnostic LED+ BROADCAST

Compliance

- CE Mark EMC
- ROHs
- UL Listed Relays Inside

Operation Protection

- BUS Rv. Polarity Protection
- BUS Short Circuit Protection

SBUS DC Supply

24VDC with flexible tolerance between 8-32VDC. Flexible ability to add power supply as to be needed any where
Power consumption: max 30mA

Programming

- Advanced Software Configuration & Programming

Installation

- wall Mount metal frame twist
- Magnetic screw less mounting
- Advanced security locking
- Easy sBUS connector tech.

Operating Environment

0° to 45°C ambient temperature
20% to 93% RH

Enclosure material

Aluminum, Glass, and poly

Dimensions & Weight

L85mm x W85mm x H19.7mm;
weight:0.12Kg

control compatibility



- Smart hotel all model



commercial



GTIN (UPC-EAN): 0610696254337
Patent P. No:

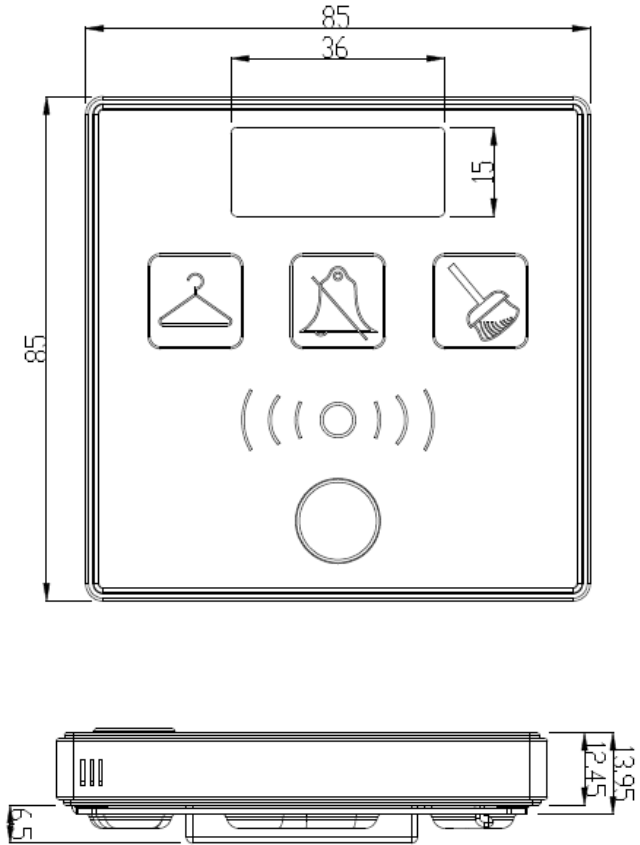
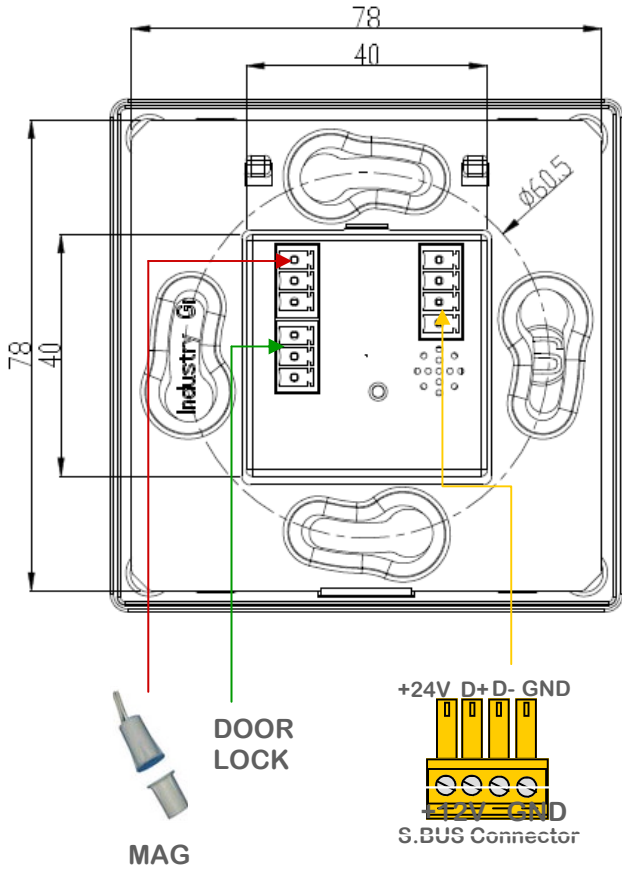


0 610696 254337

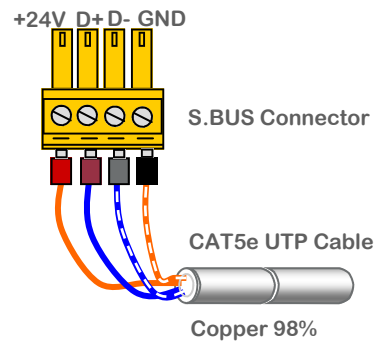


connection diagram

mounting dimensions



S-BUS connection



UTP core colors

S.BUS +24V		orange
S.BUS GND		w/orange
S.BUS D+		blue
S.BUS D-		w/blue
Spare		green
Spare		w/green
Spare +12V		brown
Spare -12V		W/brown



www.smarthomebus.com • info@smarthomebus.com
USA - Germany - Denmark - Hong Kong - Jordan - China - UAE

SB-G4 Data Sheet Rev 2.0 released Dec.2012

Specifications subject to change without notice. © Smarthome® -Group Trading as Smart-BUS®, Texas 77043 - USA. All rights reserved. Smart Mesh®, Smarthome BUS® and all other associated logos are the registered trademarks of Smart-Group® . Not to be used nor reproduced without written permission. All Patents and IPO's Remain owned by SmartHome® Group

