



DIN-Rail Mount, 6 Channel 0-10V Ballast controller. To dim your Fluorescent Tube Lights and save tube Lights energy also gives different mood lighting in the room for a more comfortable lighting for the human eyes. It Can Control 6 channel, each can handle 30 Looped 0-10V Ballasts, Inclusive with 16A relay per channel. 220/110 VAC, 50-60Hz (Green operated supplied by 24VAC/30mA) output status LED indicator, network health, broadcast address button and Momentary channel button. Can be used in any location that require energy saving, intelligent control

technical data



Supply

80-240V, 50/60Hz Single Phase
power consumption: 30mA

Outputs

6 Relays x 16A Each
In 6 Areas (Fully Isolated)
6 X 1-10V outputs

Control IO

3 x Advanced RS485 S-BUS
serial port links (both train &
screw link types)

Upgrade IO

1 x mini USB port (to connect to
special programming board)

User Controls

- front panel override switches, Includes ON/OFF/AUTO override switch for each channel
- LED status indicator/channel
- Diagnostic LED+ BROADCAST
- Device can be restored to previous scene or designated scene when power restore

Programming

- Advanced Software Configuration & Programming

Installation

- 35mm DIN-Rail Mount Ready
- Wall Mount Ready (8P)

Compliance

CE Mark Low Voltage
CE Mark EMC
ROHs, CPT, SABS

Internal Protection

- Over Heat Protection
- Over Load Protection
- BUS Rv. Polarity Protection
- BUS Short Circuit Protection
- Protection delay function (0-60 minutes) per Channel.

Preset and Scenes

6X12 Built in Scenes, and 2X4 Sequence Modes and Logics. maximum operating time: 60 Minutes. Orderly startup delay function in each channel. (0-25 seconds)

SBUS DC Supply

24VDC with flexible tolerance between 8-36VDC. Flexible ability to add power supply as to be needed any where

Supply Terminals

Line, 6X Inputs 2.5mm² - 4mm² max conductor size

Output Terminals

16X OUT for each channel 1 x 4mm² max conductor size

Operating Environment

-10° to 45°C ambient temperature 10% to 93% RH

Enclosure & Size

Polycarbonate, DIN-rail (8 Unit)

Dimensions & Weight

W 91mm x L 145mm x H 75mm
Packed weight 0.6kg



load compatibility



- 0-10V Dimmable Ballasts (for Fluorescent Lights)
- 0-10V Dimmable LED Drivers
- VAV 0-10V



commercial



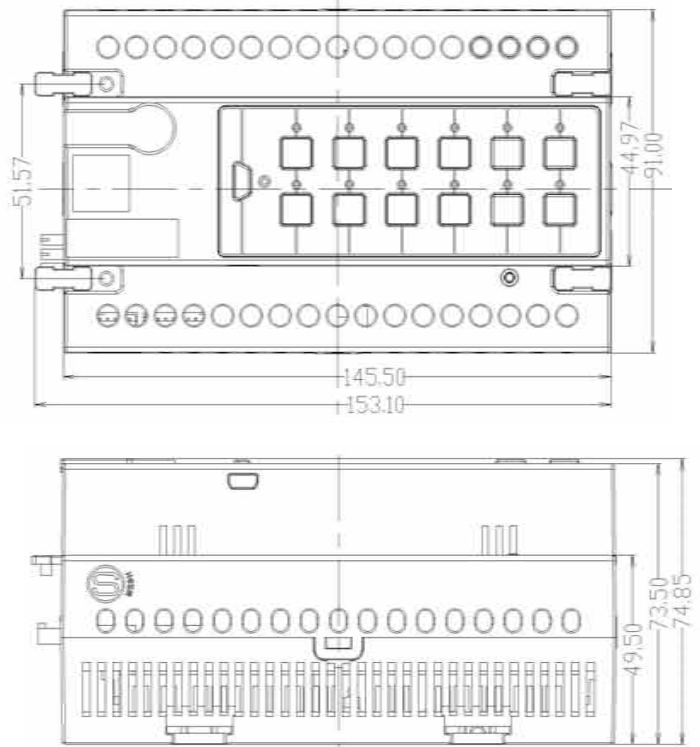
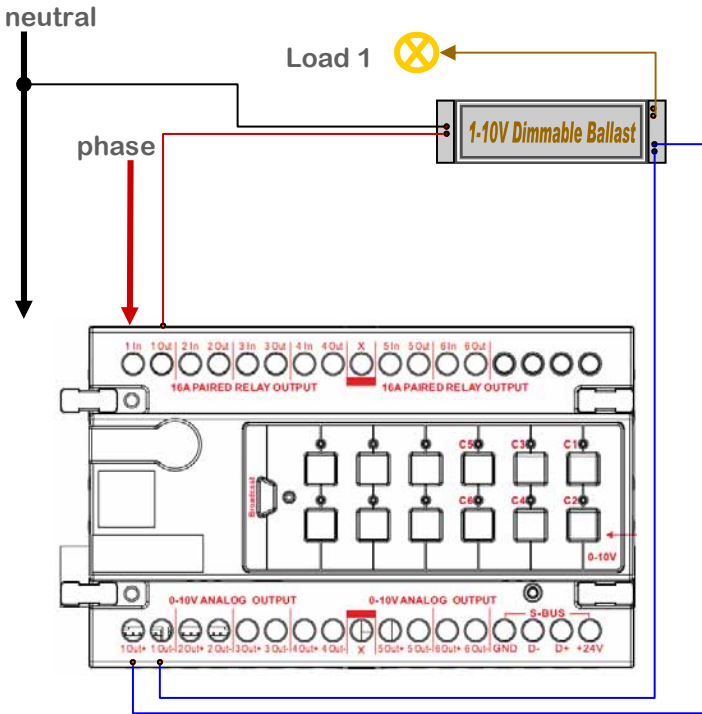
GTIN (UPC-EAN): 0610696254610
Patent P. No: 201110123081.0
Patent No: 201120452441.7



0 610696 254610

electrical diagram **G4**

mounting dimensions **G4**

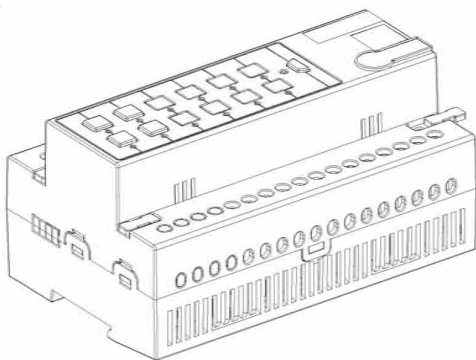


ELEVATION

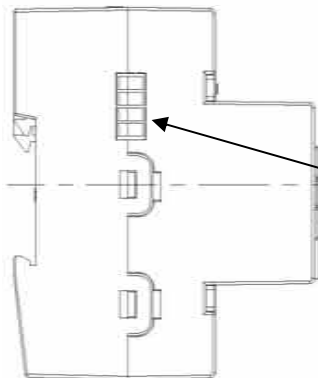
Note: The S-BUS Power Supply is the Main Supply of 1-10V Power Needs and Thus enough Power Must be allocated in P. Supply needs calculations.



Warning: this is an electrical product, it must be installed only by trained & licensed electrician

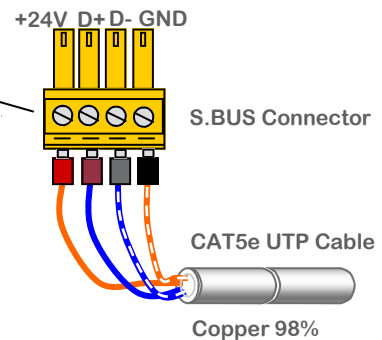


PROSPECTIVE



SIDE VIEW

S-BUS connection **G4**



www.smarthomebus.com • info@smarthomebus.com
USA - Germany - Denmark - Hong Kong - Jordan - China - UAE

SB-G4 Data Sheet Rev 2.0 released Dec.2012

Specifications subject to change without notice. © Smarthome® -Group Trading as Smart-BUS®, Texas 77043 - USA. All rights reserved. Smart Mesh®, Smarthome BUS® and all other associated logos are the registered trademarks of Smart-Group®. Not to be used nor reproduced without written permission. All Patents and IPO's Remain owned by SmartHome® Group



UTP core colors **G4**

S.BUS +24V		orange
S.BUS GND		w/orange
S.BUS D+		blue
S.BUS D-		w/blue
Spare		green
Spare		w/green
Spare +12v		brown
Spare -12V		W/brown