

Installation Manual

Hybrid Integration Link with IP
V1.0



Created by Sameh Ibrahim
BasemNabhan



Content:

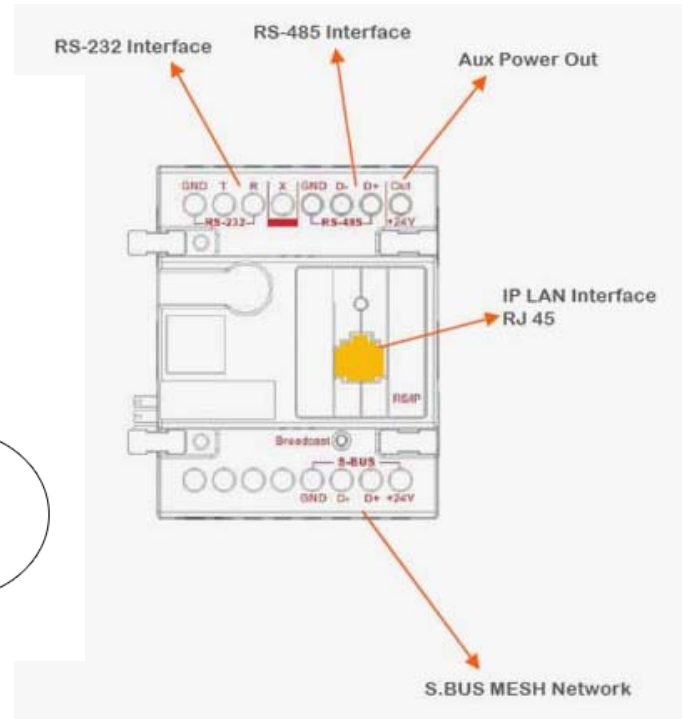
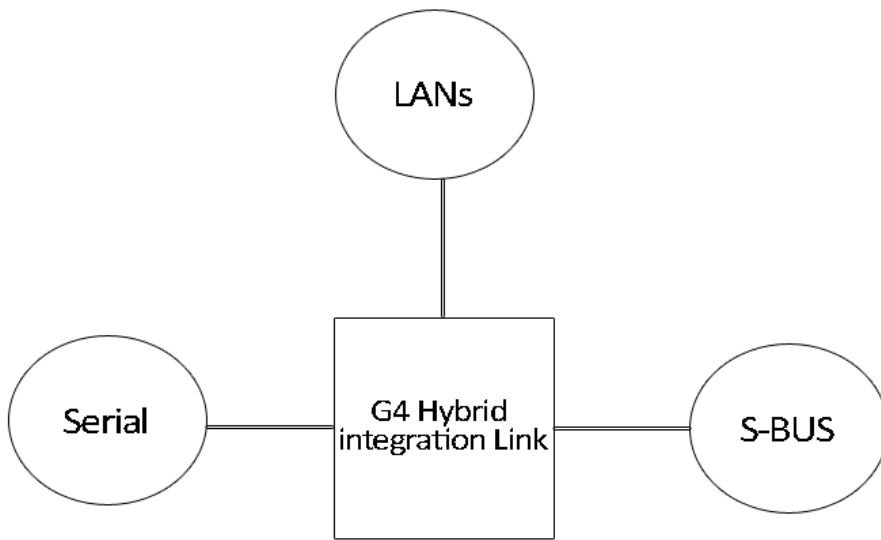
1. Introduction *page2*
2. RS232 connection *page4*
3. RS485 *page 5*



Introduction:

The G4 Hybrid Integration link, is the bridge device between three main environments, The Ethernet LANs networks, the S-BUS network and the SERIAL environment for both RS232 and RS485.

The purpose of this device is allow exchanged control between devices within those different environments.



Installation process has three different stages :

1. S-BUS network connection (Refer to the S-BUS connection Manual).
2. LAN network, which is a normal RJ45 connector to a normal LAN.
3. The serial connection.

The Serial Connection:

RS232:

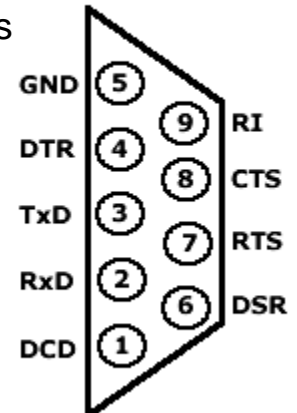
The RS232 connection is a famous one between computers and other device, mostly it works on the 9 pin connector shown on the right. Each pin has its own purpose for the protocol used, what matters for us in integrating with the S-BUS network is only three pins.

RxD PIN2

TxD PIN3

GND PIN5

RS-232

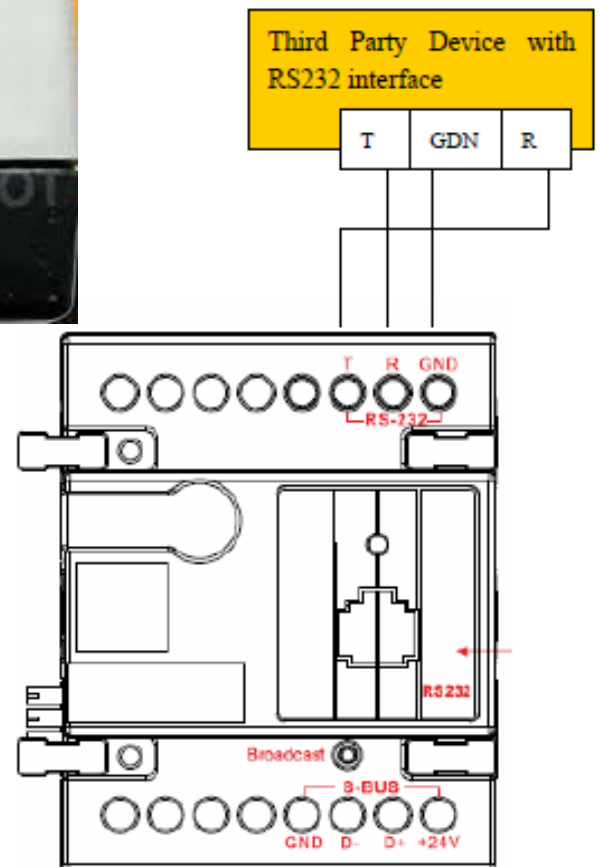


As you see in the G4 Hybrid integration link device, there are three ports for the RS232 connection. T R and GND
The RS232 enabled device
Has an input port as shown
In the picture.

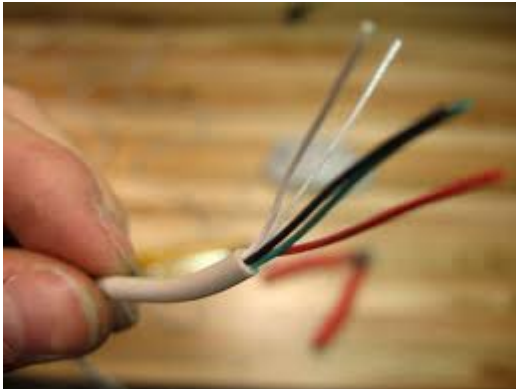


Pins 2, 3, 5 needed to be
Connected to the G4 Module

The Transmitter in the Module to the Receiver in
The device: **PIN2 -> R**
The Receiver in the Module to the Transmitter in
The device: **PIN3 -> T**
GND -> GND



Any Serial cable can be used for our connection
By cutting it in the middle, checking which wire inside
Is for the three pins that we want, then connect those
Wires to the G4 Module while the connector from the
Other side will be connected to the device that we
Wish to control.



RS485:

The RS485 is exactly the same method of the RS232, where they use same technology but different technical specification, like for example the RS485 is a Many to many connection and half duplex only and others.

Depending on the device in hand, and the port the is available on it, you choose whether RS232 or RS485.

RS485 as shown has D+ D- GND, where it should be connected also to the D- D+ GND of the device respectively.