



.....
 Distributed Audio Zone Player and Amplifier. Can Deliver up to RMS 48 Watts of Stereo. With Balanced Out to connect to Pre-Amplifier Booster. With Built in FM Radio Tuner, Built in SD Card Reader slot. Can Stream Digital Audio Through LAN/FTP from any PC or NAS on the Network. Advanced PA Port that can detect Audio Announcement Automatically mute current playing source, announce then switch back to the same music source again once announcement is completed. Additional RCA Stereo Input fro Direct Local Source Feed to allow local Music ports to connect direct from TV,DVD, IPod Dock or any other Source. Software Controllable and Integration Protocol ready. *Can be Manually Programmed by any Person on site Manually as DIY". (Maximum 1470 Zones System)

technical data



Function:

High End, Digital Streaming Multi Zone Distributed Audio DIY Easy to Install and USE

Output Terminals

2 x Amplified Speaker Out
 2 x Balanced Speaker Out

Maximum Output Power

50 watts: 25W Right & 25W Left

Control IO

1 x Advanced RS485 S-BUS
 1 x LAN communication & FTP
 1 x RS-232 Integration Port
 1 x IR receiver Port

Playable Input Sources:

1 x SD CARD Reader (Built-in)
 1 x Stereo Audio In (RCA)
 1 x Stereo PA in (Auto Detect)
 1 x Streaming Media via LAN

User Controls

- Via PC using HAC, PLM ++,
- Using DDP wall panel,
- Using Third Party Integration,
- From iPhone or iPad App,
- Using Touch Screen Panels,
- Power switch built-in,
- LED status indicator/channel
- Diagnostic LED+ BROADCAST

Programming

- Manual Pairing to DDP Panel
- Advanced Software Config.

Compliance

CE Mark EMC

Presets & Prompts

- Radio Channel Presets,
- SD card & NAS Play Lists.
- Can Announce Prompts for Alarms, Reminders, Prayers++ (Once trigger is received from Logic control Module).

Installation

- 35mm DIN-Rail Mount Ready
- Wall Mount Ready (8P)
- Table Top, or Shelf Top

Power Supply

+24-VDC, power consumption: 20-30mA. Accept 2 Types of Connection, Jack + De-teachable Screw-Type terminals (Flexible)

Advanced Features

- Ability to Send Phone stored MP3 Music direct to speakers
- Ability to Group Multi Zones for Party synchronized Control
- Ability to control Zones from PC, Touch screens & Panels
- Automatic Update of SD card Play List direct on Insert.

Operating Environment

0° to 45°C ambient temperature
 10% to 93% RH

Enclosure & Size

Polycarbonate, DIN-rail (3P)

Dimensions & Weight

W 91mm x L 215mm x H 60mm
 Packed weight 0.66 kg



Applications:



- Homes
- Hotels
- Restaurants
- Luxury Boats
- Schools
- Factories
- Prayer Halls
- Commercial centers



commercial



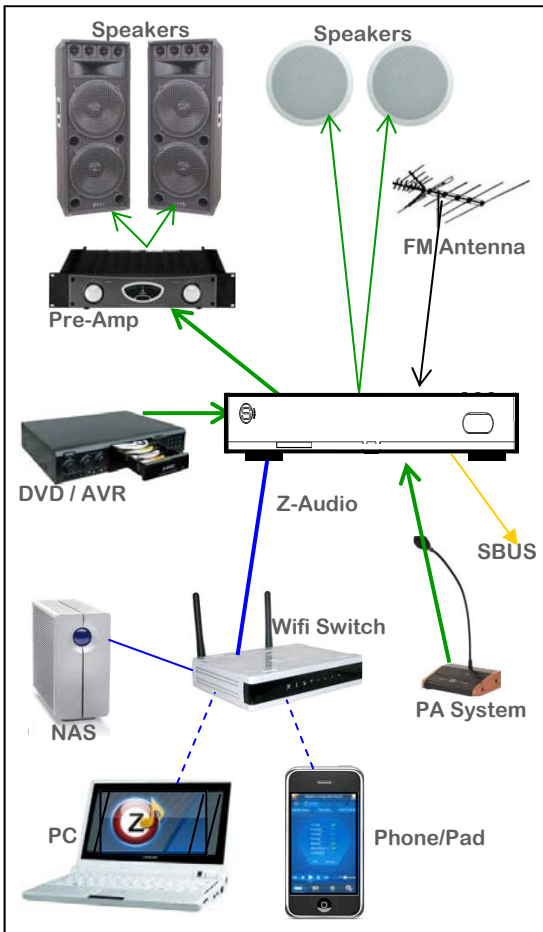
GTIN (UPC-EAN): 0610696254580
 Patent P. No: 201110123081.0
 Patent P. No: 201120231156.2



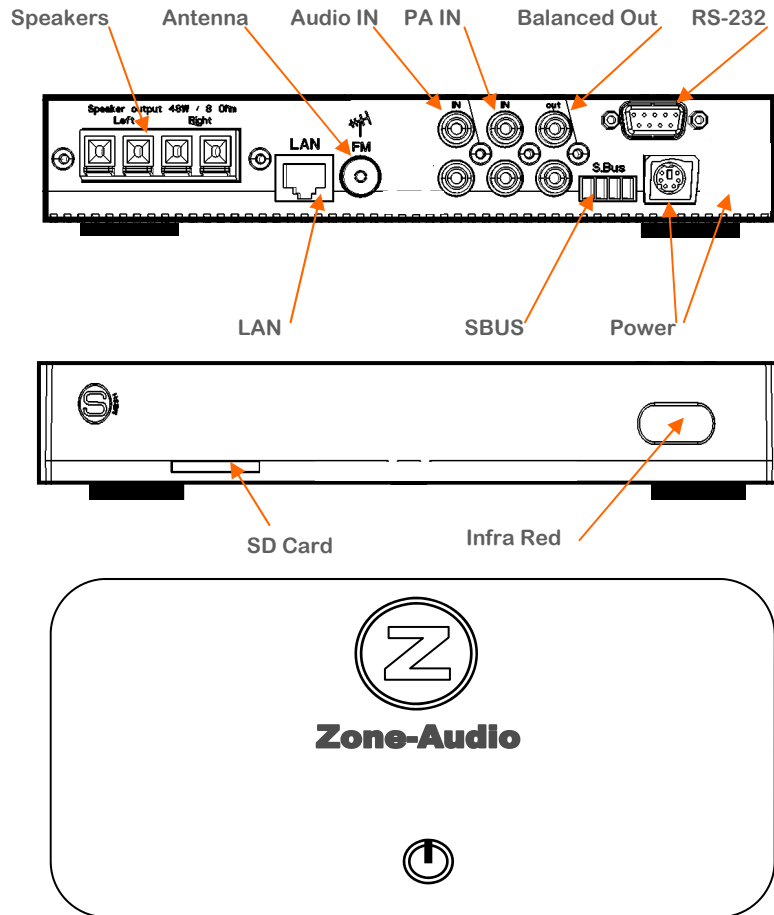
0 610696 254580



connection diagram G4



Parts & Ports details G4



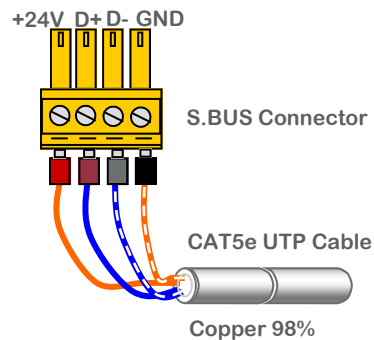
S-BUS connection G4



PROSPECTIVE



SIDE VIEW



www.smarthomebus.com • info@smarthomebus.com
USA - Germany - Denmark - Hong Kong - Jordan - China - UAE

SB-G4 Data Sheet Rev 1.0 released Sept 2011

Specifications subject to change without notice. © Smarthome® -Group Trading as Smart-BUS®, Texas 77043 - USA. All rights reserved. Smart Mesh®, Smarthome BUS® and all other associated logos are the registered trademarks of Smart-Group®. Not to be used nor reproduced without written permission. All Patents and IPO's Remain owned by SmartHome® Group

UTP core colors G4

S.BUS +24V		orange
S.BUS GND		w/orange
S.BUS D+		blue
S.BUS D-		w/blue
Spare		green
Spare		w/green
Spare +12V		brown
Spare -12V		W/brown