

.....  
This Product is Smart-BUS ready LED Driver that Can Be used to control DC Constant Voltage LED Fixtures like: Spot Lights, LED Strip Lights, Down Lights ..etc. The Maximum Load Per Channel should not Exceed 1A. This LED Driver Can Control 4 Different Channels or Mix Colors as RGB or RGBW.

This LED-SBUS Driver can Control and Mix Lighting color, intensity, changing speed, and Rhythm  
The LED-SBUS Driver can also Be used as stand alone module.

**technical data**



**Compatibility**

Any Dimmable LED with Constant Voltage. (12VDC/24VDC)

**Functions**

Control color Mixing RGBW  
Control Channels (4 Channels)  
Total Bus Control (Color, Intensity, Color Changing Speed, & Pulse Speed)

**Manual SA Operation**

Manual Operation Possible for:  
Color Selection  
Intensity/Brightness Adjust  
Channel Change Speed

**Power Input**

5A - 12VDC or 24VDC to Support LED Power Needs

**Power Output**

12VDC or 24VDC  
Rated as 1A per Channel Max  
And Total of 4A

**Control IO**

1 x Advanced RS485 S-BUS serial port links (both train & screw link types)

**Heat**

Heat Dissipation technology  
Utilizing the Body as heat Sink

**Compliance**

CE Mark EMC  
ROHs, CPT

**Operation Protection**

- Reverse Polarity Protection
- Short Circuit Protection
- Overheat Protection
- Overload Protection

**SBUS DC Supply**

24VDC with flexible tolerance between 12-36VDC. Flexible ability to add power supply as to be needed any where

**Upgrade IO**

1 x mini USB port (to connect to special programming board)

**User Controls**

- LED status indicator/channel
- Diagnostic LED+ BROADCAST

**Programming**

- Advanced Software Configuration & Programming

**Installation**

- Wall Mount Ready

**Operating Environment**

0° to 45°C ambient temperature  
10% to 93% RH

**Enclosure & Size**

Aluminum

**Dimensions & Weight**

W 91mm x L 73mm x H 75mm  
Packed weight 0.26 kg



**Applications**



LED Control Needs (on/Off, Dimming, Mixing, Color Change, Speed)



commercial



GTIN (UPC-EAN): 0610696253941

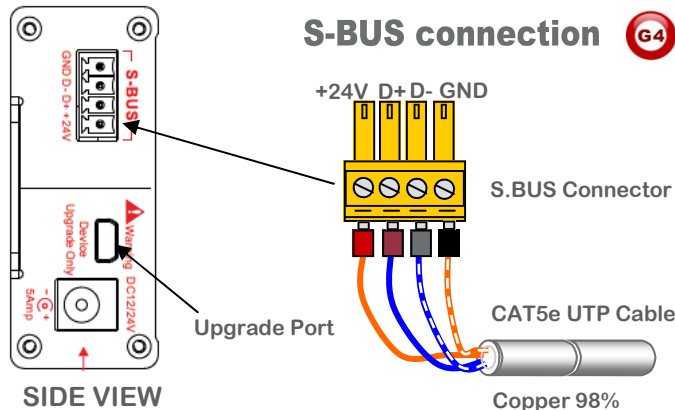
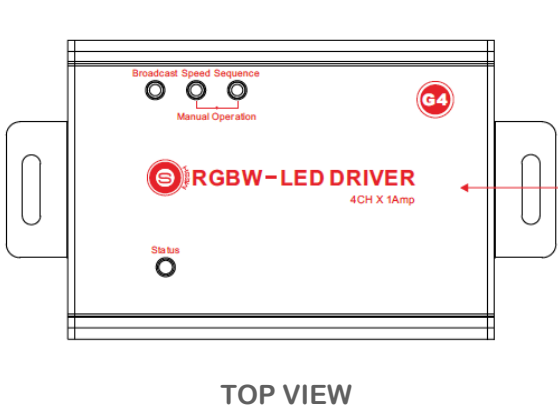
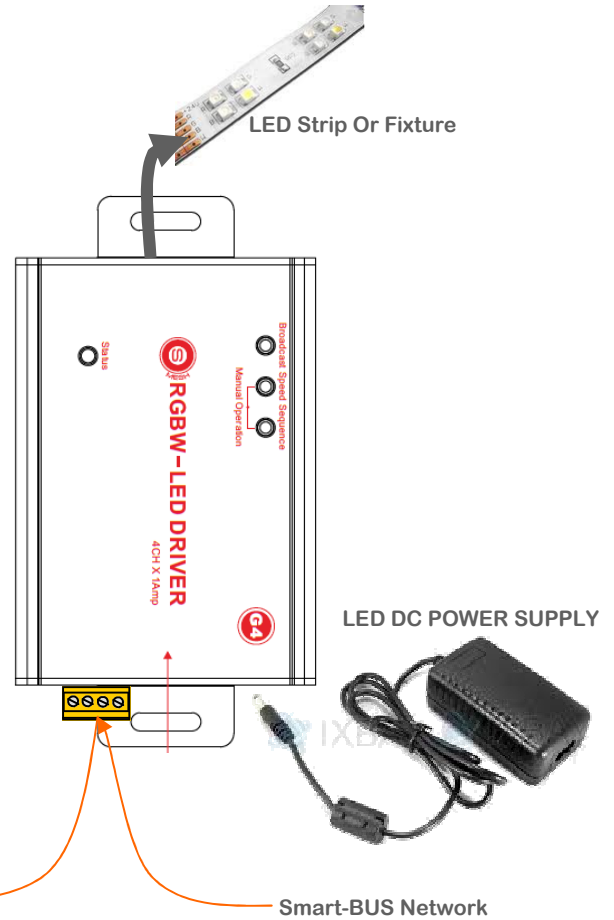
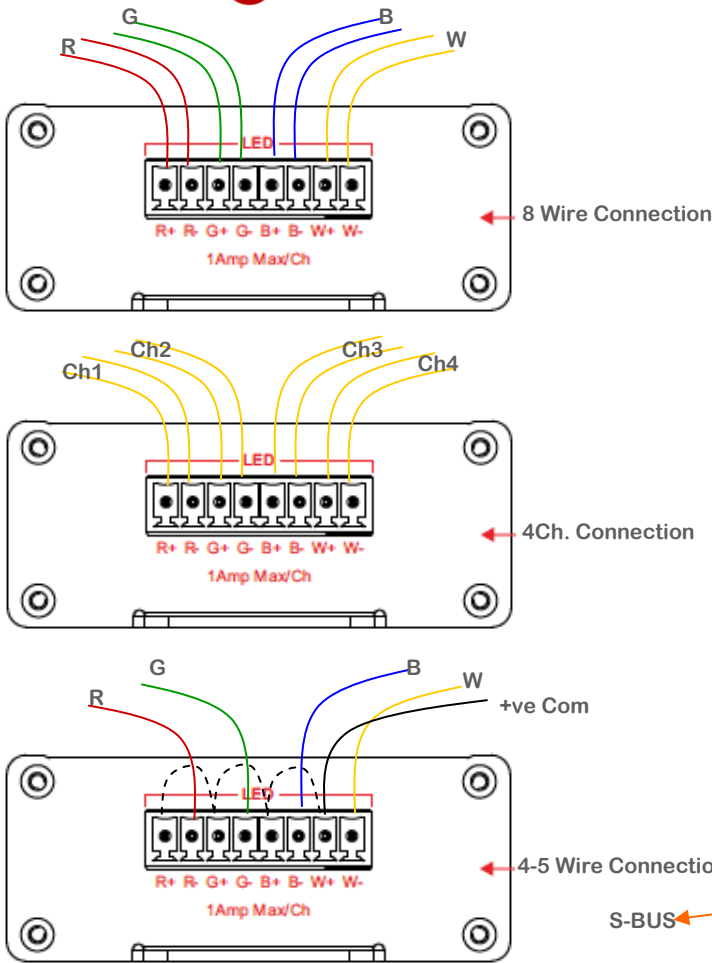


0 610696 253941



connection options **G4**

connection topology **G4**



www.smarthomebus.com • info@smarthomebus.com  
USA - Germany - Denmark - Hong Kong - Jordan - China - UAE

SB-G4 Data Sheet Rev 2.0 released Dec.2012

Specifications subject to change without notice. © Smarthome® -Group Trading as Smart-BUS®. Texas 77043 - USA. All rights reserved. Smart Mesh®, Smarthome BUS® and all other associated logos are the registered trademarks of Smart-Group®. Not to be used nor reproduced without written permission. All Patents and IPO's Remain owned by



UTP core colors **G4**

S.BUS +24V	orange
S.BUS GND	w/orange
S.BUS D+	blue
S.BUS D-	w/blue
Spare	green
Spare	w/green
Spare +12v	brown
Spare -12V	W/brown